

OBS421 series

Stand-alone dual-mode Bluetooth modules

Electrical Mechanical Data Sheet

Abstract

This document describes the electrical and mechanical data of the OBS421 stand-alone dual-mode Bluetooth modules. This module is available in different configurations with internal antenna or a U.FL connector for connecting an external antenna.

Document Information

Title	OBS421 series
Subtitle	Stand-alone dual-mode Bluetooth modules
Document type	Electrical Mechanical Data Sheet
Document number	UBX-15016247
Revision and date	R27 28-April-2025
Document status	Production Information
Disclosure restriction	

u-blox reserves all rights to this document and the information contained herein. Products, names, logos and designs described herein may in whole or in part be subject to intellectual property rights. Reproduction, use, modification or disclosure to third parties of this document or any part thereof without the express permission of u-blox is strictly prohibited.

The information contained herein is provided “as is” and u-blox assumes no liability for the use of the information. No warranty, either express or implied, is given, including but not limited, with respect to the accuracy, correctness, reliability and fitness for a particular purpose of the information. This document may be revised by u-blox at any time. For most recent documents, visit www.u-blox.com. Copyright © 2020, u-blox AG.

u-blox® is a registered trademark of u-blox Holding AG in the EU and other countries. Arm® is the registered trademark of Arm Limited in the EU and other countries.

Contents

1	Introduction	5
1.1	Related Documents	5
1.2	Product Variants	5
1.3	Block Diagram	10
2	Electrical Interface and Connectors	11
2.1	Pin Numbering	12
2.1.1	J2, J3 and J6 bottom side connectors	12
2.1.2	J8 JST connector	12
2.2	Pin Description	13
2.3	Characteristics	15
2.3.1	Power supply	15
2.3.2	Input/Output signals	16
2.3.3	Environmental	17
2.4	Hardware Reset	18
3	Operating Status	19
4	Antennas	20
4.1	Surface Mounted Antennas (Internal)	20
4.2	External antennas	21
4.2.1	Antenna Accessories	21
4.2.2	Recommended antennas	22
4.2.3	Alternative antennas	26
5	Mechanics	32
5.1	Module Outlines	32
5.1.1	Dimensions	32
5.1.2	Mounting Holes	33
5.2	Using the J2/J3 Board-to-Board Connectors	33
5.2.1	Single row connectors	33
5.2.2	Double row connectors	33
5.3	Using the J6 PCB solder pads	34
5.3.1	Host Board	34
5.3.2	Mounting process	35
5.4	Antenna Issues	35
6	Bluetooth Information	36
6.1	General information	36
6.2	Bluetooth Qualification information	36

7	Regulatory Information	38
7.1	European Union regulatory compliance	38
7.1.1	Declaration of Conformity	38
7.1.2	Safety Compliance	38
7.2	FCC and IC Compliance	38
7.2.1	Compliance for cB-0946	38
7.3	UL listing information	40
7.4	Japan Radio Equipment Compliance (MIC)	40
7.5	China Radio Transmission Equipment Type Approval (SRRC)	40
7.6	NCC Taiwan compliance	41
7.6.1	Taiwan NCC certification ID	41
7.6.2	Taiwan NCC Warning Statement	41
7.6.3	Taiwan NCC labeling and documentation requirements for end product	41
7.7	Compliance with RoHS directive	41
8	Guidelines for Efficient and Safe Use	43
8.1	General	43
8.2	Product Care	43
8.3	Radio Frequency Exposure	43
8.4	Electronic Equipment	44
8.5	Potentially Explosive Atmospheres	44
8.6	Power Supply	44
9	Application Notes	45
9.1	Step-by-Step Guide	45
9.2	Design Examples	45
9.2.1	Logic Levels	45
9.2.2	Serial Interface	48
9.2.3	LED and Switch Design	51
9.2.4	Reset	58
9.2.5	A Complete 5V Host System Interface	59
10	Explanation on notes	61
11	Revision history	63

1 Introduction

The hardware of the cB-OBS421 products are referred as cB-0946 and the module is Type Approved with the type name cB-0946.

cB-OBS421 is a small size Bluetooth module based on the Texas Instrument CC2564 radio chip and a ST Microelectronics STM32F10x microprocessor. The module is available as a single mode (Classic Bluetooth) module and a dual mode (Classic Bluetooth and Bluetooth Low Energy) module. The module is available in different configurations (see [Product Variants](#)) with [internal antenna](#) or a U.FL. connector for connecting an [External antenna](#).

NOTE: The OBS421 series is an older generation product, not for new designs

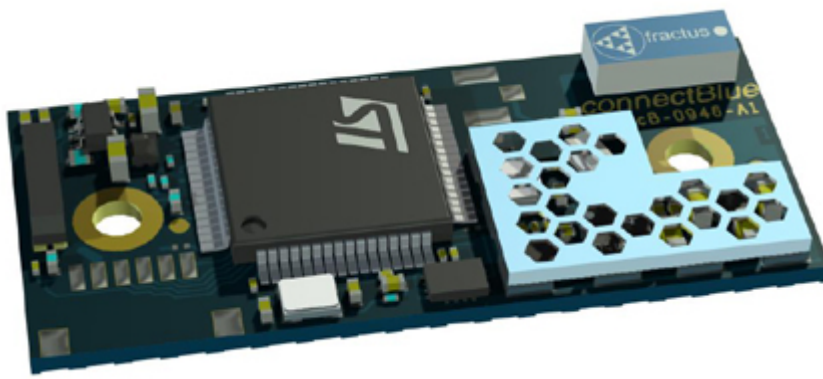


Figure 1: cB-OBS421i-04 OEM Serial Port Adapter with internal antenna

1.1 Related Documents


There are some documents related to the Serial Port Adapter:

- The [Bluetooth Serial Port Adapter AT Commands](#) document contains a description of the AT commands supported in the Serial Port Adapter. It also contains information on how to use the AT commands to create Bluetooth applications.
- The [cB-OBS421 Electrical Mechanical Data sheet](#) (this document) contains important information about the OEM Serial Port Adapter. Read this document if you are using the OEM Serial Port Adapter.
- The [Bluetooth Qualification Guide](#) contains a step by step guide that describes how to create a Bluetooth end product listing for products integrating the cB-OBS421.

1.2 Product Variants





The module is available in three antenna options, two connector options and different software versions. The main versions are described below, and for each product name there are different ordering codes to order the module with a specific version of the software. Please note that the j-version (extra low antenna profile) is available on special request only, since the antenna performance may be limited because of the small size of the antenna.





Product Name	Regulatory ID FCC ID IC ID MIC ID	Bluetooth Type	Description	Ordering codes and software versions	
cB-OBS421i-24	cB-0946 PVH0946 5325A-0946 204-210003	Dual mode Bluetooth Low Energy and Classic Bluetooth	OEM Serial Port Adapter 421 LE (rev B) with internal antenna, board-to-board and solder pads.	v5.3.2: cB-OBS421i-24-01B v5.2.1: cB-OBS421i-24	
cB-OBS421i-26*	cB-0946 PVH0946 5325A-0946 204-210003	Dual mode Bluetooth Low Energy and Classic Bluetooth	OEM Serial Port Adapter 421 LE (rev B) with internal antenna, JST wire connector, board-to-board and solder pads.	v5.3.2: cB-OBS421i-26-01B v5.2.1: cB-OBS421i-26	
cB-OBS421x-24	cB-0946 PVH0946 5325A-0946 204-210003	Dual mode Bluetooth Low Energy and Classic Bluetooth	OEM Serial Port Adapter 421 LE (rev B) with U.FL. connector for external antenna, board-to-board and solder pads.	v5.3.2: cB-OBS421x-24-01B v5.2.1: cB-OBS421x-24	
cB-OBS421x-26*	cB-0946 PVH0946 5325A-0946 204-210003	Dual mode Bluetooth Low Energy and Classic Bluetooth	OEM Serial Port Adapter 421 LE (rev B) with U.FL. connector for external antenna, JST wire connector, board-to-board and solder pads.	v5.2.1: cB-OBS421x-26	
cB-OBS421i-i4	cB-0946 PVH0946 5325A-0946 204-210003	Dual mode Bluetooth Low Energy and Classic Bluetooth	OEM Serial Port Adapter 421 LE (rev B) with iAP support, internal antenna, board-to-board and solder pads. NOTE: Requires Apple MFi membership. See Bluetooth Serial Port Adapter Compatibility iPhone, iPad and iPod Ver 2 NOTE: Not for new designs, as MFi approval/certification for new designs cannot be completed after July 1, 2019.	v5.1.3 iAP: Contact us v5.1.1 iAP: cB-OBS421i-i4-01B v5.0.0 iAP: cB-OBS421i-i4	




Product Name	Regulatory ID FCC ID IC ID MIC ID	Bluetooth Type	Description	Ordering codes and software versions	
cB-OBS421x-i4	cB-0946 PVH0946 5325A-0946 204-210003	Dual mode Bluetooth Low Energy and Classic Bluetooth	OEM Serial Port Adapter 421 LE (rev B) with iAP support, U.FL. connector for external antenna, board-to-board and solder pads. NOTE: Requires Apple MFi membership. See Bluetooth Serial Port Adapter Compatibility iPhone, iPad and iPod Ver 2 NOTE: Not for new designs, as MFi approval/certification for new designs cannot be completed after July 1, 2019.	v5.1.3 iAP: Contact us v5.1.1 iAP: cB-OBS421x-i4-01B v5.0.0 iAP: cB-OBS421x-i4	

* The JST connector is specified down to -25 °C. See [Environmental](#) for more information.

Table 1a: Rev B product variants

Product Name	Regulatory ID FCC ID IC ID MIC ID	Bluetooth Type	Description	
cB-OBS421i-i6*	cB-0946 PVH0946 5325A-0946 204-210003	Dual mode Bluetooth Low Energy and Classic Bluetooth	OEM Serial Port Adapter 421 LE (rev B) with iAP support, internal antenna, JST wire connector, board-to-board and solder pads. NOTE: Requires Apple MFi membership. See Bluetooth Serial Port Adapter Compatibility iPhone, iPad and iPod Ver 2	
cB-OBS421x-i6*	cB-0946 PVH0946 5325A-0946 204-210003	Dual mode Bluetooth Low Energy and Classic Bluetooth	OEM Serial Port Adapter 421 LE (rev B) with iAP support, U.FL. connector for external antenna, JST wire connector, board-to-board and solder pads. NOTE: Requires Apple MFi membership. See Bluetooth Serial Port Adapter Compatibility iPhone, iPad and iPod Ver 2	
cB-OBS421i-14	cB-0946 PVH0946 5325A-0946 204-210003	Dual mode Bluetooth Low Energy and Classic Bluetooth	OEM Serial Port Adapter 421 LE with internal antenna, board-to-board and solder pads.	
cB-OBS421i-16*	cB-0946 PVH0946 5325A-0946 204-210003	Dual mode Bluetooth Low Energy and Classic Bluetooth	OEM Serial Port Adapter 421 LE with internal antenna, JST wire connector, board-to-board and solder pads.	

cB-OBS421j-14	cB-0946 PVH0946 5325A-0946 204-210003	Dual mode Bluetooth Low Energy and Classic Bluetooth	OEM Serial Port Adapter 421 LE with internal antenna (extra low antenna profile), board-to-board and solder pads. Available on special request only.	
cB-OBS421j-16*	cB-0946 PVH0946 5325A-0946 204-210003	Dual mode Bluetooth Low Energy and Classic Bluetooth	OEM Serial Port Adapter 421 LE with internal antenna (extra low antenna profile) with internal antenna, JST wire connector, board-to-board and solder pads. Available on special request only.	
cB-OBS421x-14	cB-0946 PVH0946 5325A-0946 204-210003	Dual mode Bluetooth Low Energy and Classic Bluetooth	OEM Serial Port Adapter 421 LE with U.FL. connector for external antenna, board-to-board and solder pads.	
cB-OBS421x-16*	cB-0946 PVH0946 5325A-0946 204-210003	Dual mode Bluetooth Low Energy and Classic Bluetooth	OEM Serial Port Adapter 421 LE with U.FL. connector for external antenna, JST wire connector, board-to-board and solder pads.	
cB-OBS421i-04	cB-0946 PVH0946 5325A-0946 204-210003	Single mode Classic Bluetooth	OEM Serial Port Adapter 421 with internal antenna, board-to-board and solder pads.	
cB-OBS421i-06*	cB-0946 PVH0946 5325A-0946 204-210003	Single mode Classic Bluetooth	OEM Serial Port Adapter 421 with internal antenna, JST wire connector, board-to-board and solder pads.	
cB-OBS421j-04	cB-0946 PVH0946 5325A-0946 204-210003	Single mode Classic Bluetooth	OEM Serial Port Adapter 421 with internal antenna (extra low antenna profile), board-to-board and solder pads. Available on special request only.	

Product Name	Regulatory ID FCC ID IC ID MIC ID	Bluetooth Type	Description	
cB-OBS421j-06*	cB-0946 PVH0946 5325A-0946 204-210003	Single mode Classic Bluetooth	OEM Serial Port Adapter 421 with internal antenna (extra low antenna profile) with internal antenna, JST wire connector, board-to-board and solder pads. Available on special request only.	
cB-OBS421x-04	cB-0946 PVH0946 5325A-0946 204-210003	Single mode Classic Bluetooth	OEM Serial Port Adapter 421 with U.FL connector for external antenna, board-to-board and solder pads.	
cB-OBS421x-06*	cB-0946 PVH0946 5325A-0946 204-210003	Single mode Classic Bluetooth	OEM Serial Port Adapter 421 with U.FL connector for external antenna, JST wire connector, board-to-board and solder pads.	

* The JST connector is specified down to -25 °C. See [Environmental](#) for more information.

Table 1b: Rev A product variants

1.3 Block Diagram

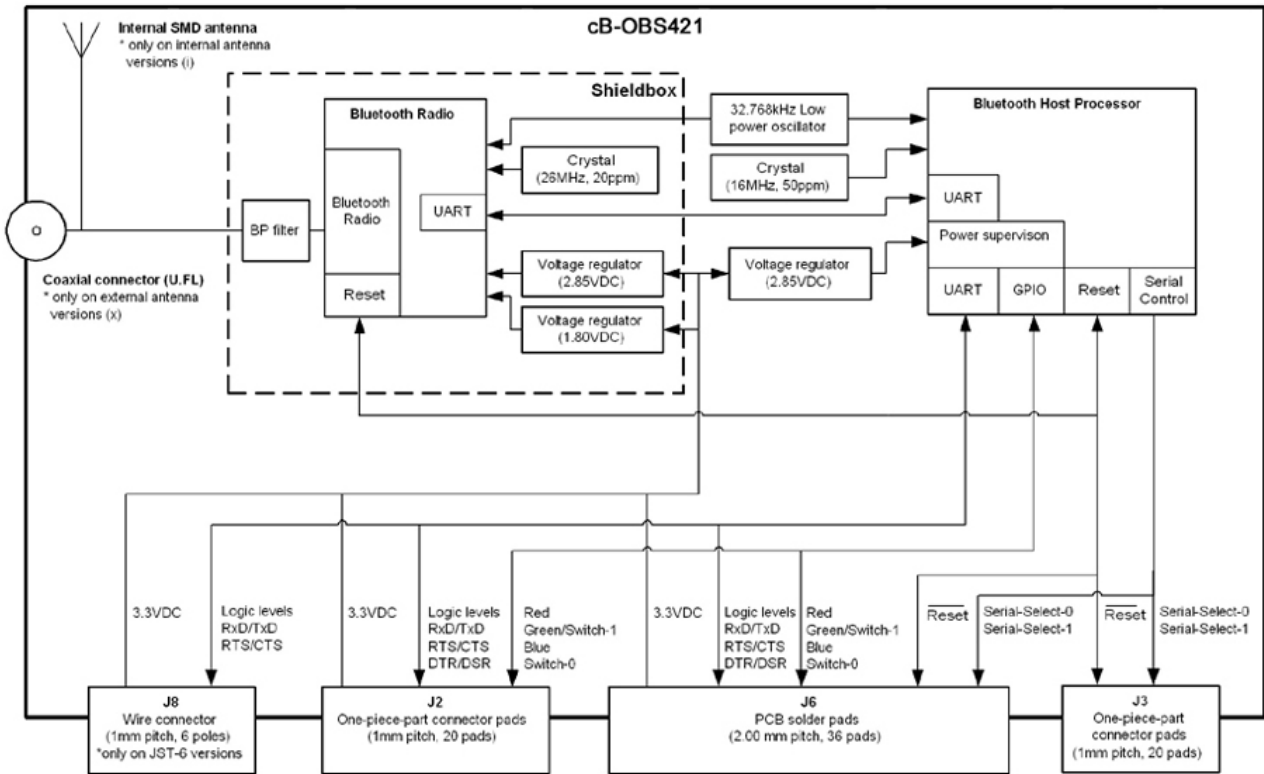


Figure 2: Block diagram of cB-OBS421

2 Electrical Interface and Connectors

This section describes the signals available on the module interface connectors. There are three ways to connect to the OEM Serial Port Adapter:

- Via the PCB solder pads on the edge of the PCB, J6 (see Figure 3). See Section "[Using the J6 PCB solder pads](#)" for more information.
- Via the 2x20-pin 1 mm pitch board-to-board (one piece part) connectors, J2 through J3. The J2 to J3 connectors on the OEM Serial Port Adapter exist on the module only as a mating PCB-layout pattern (see Figure 3). See Section "[Using the J2/J3 Board-to-Board Connectors](#)" for more information.
- Optional: Via the JST connector, J8 (see Figure 4). The connector is a 6 poles wire connector. The pitch is 1mm. The manufacturer of the mounted connector is JST and the part number is SM06B-SRSS-TB. The SM06B-SRSS-TB connector is mated with the wire connector SHR-06V-S from JST. Other connector options are also available from JST.

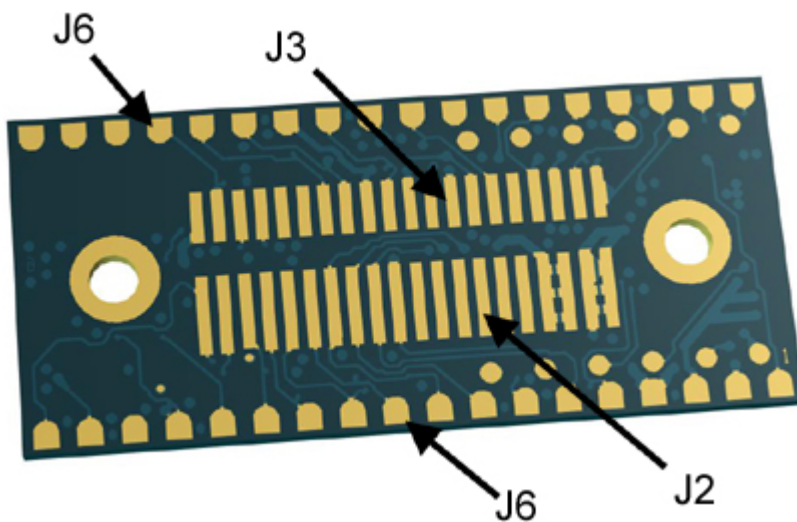


Figure 3: The solder pads J6 are available on the long edges of the bottom side of the PCB. The board-to-board connector pads J2-J3 are located between the mounting holes.

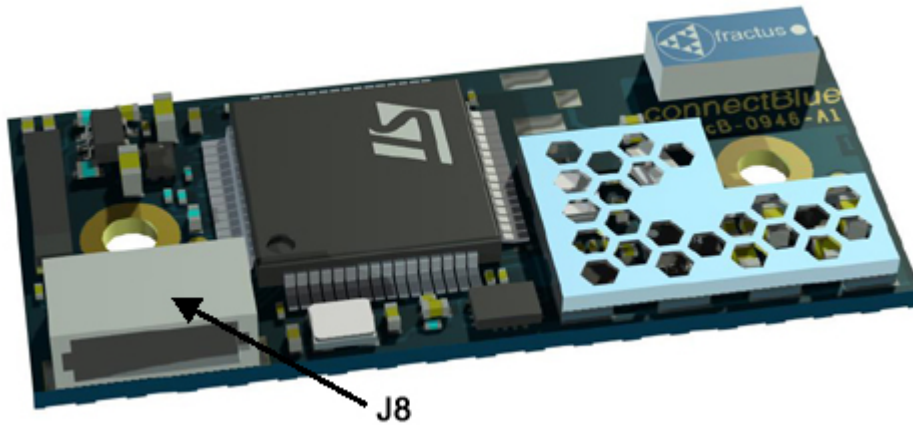


Figure 4: The JST connector J8 is mounted on the component side of the PCB as an option.

2.1 Pin Numbering

2.1.1 J2, J3 and J6 bottom side connectors

Bottom view

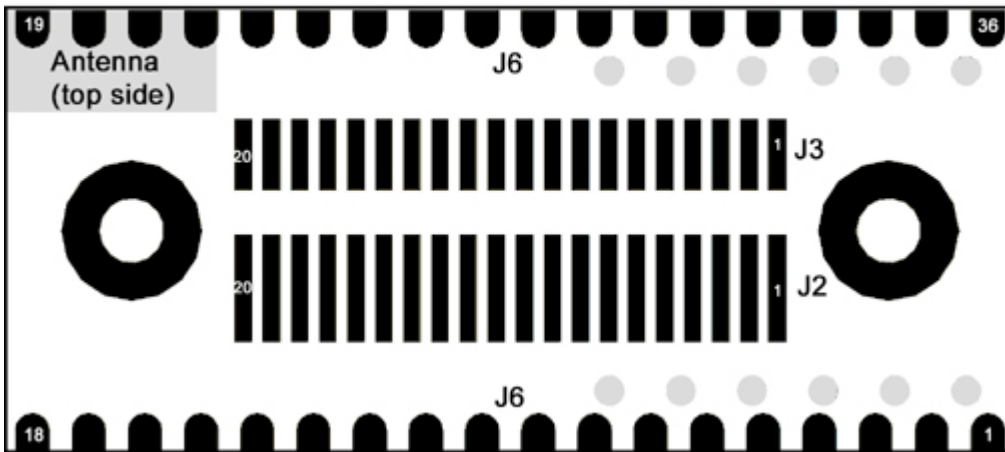


Figure 5: Bottom view of the PCB with the pin numbering of the J2, J3 and the J6 connectors.

2.1.2 J8 JST connector

Top view

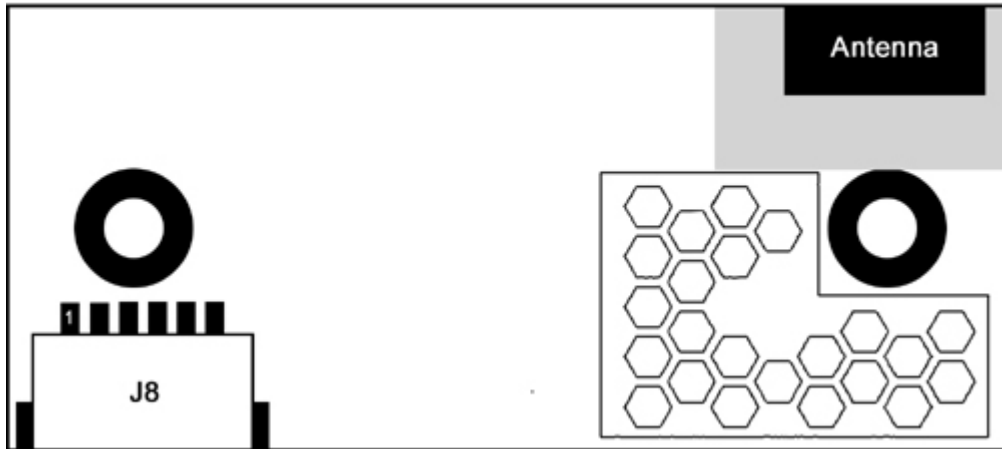


Figure 6: Top view of the PCB with the pin numbering of the J8 connector.

2.2 Pin Description

J2 Pin Nbr	J3 Pin Nbr	J6 Pin Nbr	J8 Pin Nbr	Signal Name	Signal Level	Type	IO pin Nbr	Description
1-2	8, 12	3, 25***	1	VSS	Ground	-	-	GND
3-4	-	4	2	VCC_3V3	3.3 V	In	-	3.0 - 6.0 VDC power supply
5-10	5, 15-18	14-17, 19-21, 29	-	-	-	-	-	Reserved, do not connect.
-	14	23	-	-	CMOS	In/Out	10	AT command controlled IO pin. See the "Bluetooth Serial Port Adapter AT Commands" documentation for more info.
-	13	24	-	-	CMOS	In/Out	11	AT command controlled IO pin. See the "Bluetooth Serial Port Adapter AT Commands" documentation for more info.
-	11	26	-	-	CMOS	In/Out	12	AT command controlled IO pin. See the "Bluetooth Serial Port Adapter AT Commands" documentation for more info.
-	7	27	-	-	CMOS	In/Out	13	AT command controlled IO pin. See the "Bluetooth Serial Port Adapter AT Commands" documentation for more info.
-	6	28	-	-	CMOS	In/Out	14	AT command controlled IO pin. See the "Bluetooth Serial Port Adapter AT Commands" documentation for more info.
-	1	31	-	-	CMOS	In/Out	15	AT command controlled IO pin. See the "Bluetooth Serial Port Adapter AT Commands" documentation for more info.
-	2	32	-	-	CMOS	In/Out	16	AT command controlled IO pin. See the "Bluetooth Serial Port Adapter AT Commands" documentation for more info.

-	3	33	-	-	CMOS	In/Out	17	AT command controlled IO pin. See the "Bluetooth Serial Port Adapter AT Commands" documentation for more info.
-	4	34	-	-	CMOS	In/Out	18	AT command controlled IO pin. See the "Bluetooth Serial Port Adapter AT Commands" documentation for more info.
11	-	7	-	RED/Mode	CMOS	Out	2	<p>RED:Logic Red LED Signal (see the Operating Status section). Active low.</p> <p>Mode: Not used on cB-OBS421. This pin is also used to select Logic level mode (instead of RS232) for u-blox products with internal RS232 driver. To be compatible with these products check the datasheet for these products about this signal.</p>
12	-	6	-	Switch-0	CMOS	In	1	<p>Used for the "Connect on external signal" function, see the Serial Port Adapter AT command Specification for more information on the Function switch. Active low.</p> <p>A secondary function is that the module will restore all factory settings if both the Switch-1 and Switch-0 signals are low during start up.</p> <p>See the Serial Port Adapter AT command Specification for more information on the Restoring Default Configuration functionality.</p> <p>See section Switch-0 Signal for design examples.</p>
13	-	8	-	GREEN /Switch-1	CMOS	In/Out	3	<p>This signal is multiplexed: GREEN:Logic Green LED Signal (see the Operating Status section). Not valid until 500ms after startup. Active low.</p> <p>Switch-1: If the level on this pin is pulled-down** the unit goes back to default serial settings. The Switch-1 input is only active during the first 500ms after startup. The module will restore all factory settings if both the Switch-1 and Switch-0 signals are low during start up.</p> <p>See the Serial Port Adapter AT command Specification for more information on the Restoring Default Configuration functionality.</p> <p>See section GREEN/Switch-1 for design examples.</p>
14	-	9	-	BLUE	CMOS	Out	4	<p>Logic Blue LED Signal (see the Operating Status section). Active low. Note:Signal will flicker at data transmission.</p> <p>See section BLUE Signal for design examples.</p>
15	-	10	5	UART-CTS*	CMOS	In	5	Clear To Send. Hardware flow control. Active low.
16	-	11	3	UART-TxD*	CMOS	Out	6	Transmit Data. "0" : Low, "1" : High
17	-	12	6	UART-RTS*	CMOS	Out	7	Request To Send. Hardware flow control. Active low.
18	-	13	4	UART-RxD*	CMOS	In	8	Receive Data. "0" : Low, "1" : High

J2 Pin Nbr	J3 Pin Nbr	J6 Pin Nbr	J8 Pin Nbr	Signal Name	Signal Level	Type	IO pin Nbr	Description
19	-	5	-	UART-DTR*	CMOS	Out	0	Data Terminal Ready. Active low.
20	-	18, 30***	-	UART-DSR*	CMOS	In	9	Data Set Ready. Active low.
-	19	1, 22***	-	RESET	CMOS	In	-	Hardware reset
-	9	36	-	SerialSelect-0 / IC-SDA	CMOS	Out / Bidirectional	20	SerialSelect-0: Control signal for external serial transceivers. See Appendix Serial Interface section for more info. Reserved for future alternative use: IC-SDA: IC Serial data. Used only for enabling of connectivity to Apple® iOS devices. See Bluetooth Serial Port Adapter Compatibility iPhone, iPad and iPod for more information.
-	10	35	-	SerialSelect-1 / IC-SCL	CMOS	Out	19	SerialSelect-1: Control signal for external serial transceivers. See Appendix Serial Interface section for more info. Reserved for future alternative use: IC-SCL: IC clock. Used only for enabling of connectivity to Apple® iOS devices. See Bluetooth Serial Port Adapter Compatibility iPhone, iPad and iPod for more information.
-	20	2	-	VCC_2V85	2.85 V	Out	-	Regulated interface voltage for voltage level shifting, max 10mA.

* All signals are logic level UART signals (typically 0 - 2.85VDC).

** Use max 4.7kOhm as pull-down which is different to previous product generations from connectBlue/u-blox.

*** Alternative signal pin recommended to use in new designs (both signal pins should be connected).

Table 2: Signals description

2.3 Characteristics

The cB-OBS421 module has linear power supplies, which means that the current is constant if the voltage supply is changed.

2.3.1 Power supply

NOTE

Read the [Guidelines for Efficient and Safe Use](#) before using the modules.

The module is equipped with internal linear voltage regulators.

Symbol	Parameter		Value	Unit
VCC_3V3	Power supply (Unregulated*)	Min	3.0	VDC

Max 6.0 VDC

Table 3: Power supply

A power reduction feature is available, but is not enabled by default. The power reduction feature can be enable with the command AT*AMWFM (see [Bluetooth Serial Port Adapter AT Commands](#) for information).

VCC_3V3 = 3.3V

Mode		I_{CC}		Unit	
		Power reduction disabled (default)	Power reduction enabled		
Not connected	Connectable, discoverable	Average	27	16	mA
		Peak	70	58	mA
Not connected, stop mode enabled	Not connectable, not discoverable	Average	0.60	0.60	mA
		Peak	0.61	0.61	mA
	Connectable, not discoverable	Average	1.0	1.0	mA
		Peak	8.5	8.5	mA
	Connectable, discoverable	Average	1.1	1.1	mA
		Peak	39	39	mA
Connected	Idle or Receiving	Average	29	18	mA
		Peak	123	112	mA
Transmitting @115.2kbit/s		Average	44	27	mA
		Peak	133	110	mA
Inquiry		Average	57	49	mA
		Peak	133	110	mA

Table 4: Current consumption

2.3.2 Input/Output signals

Symbol	Parameter		Value	Unit
V_{IN} Low	Logic LOW level input voltage	Min	-0.50	V
		Max	0.80	V

Symbol	Parameter		Value	Unit	
V_{IN} High	Logic HIGH level input voltage	Min	2.00	V	
		Typ	2.85	V	
		Rev B versions (see Product Variants)	Typ	3.00	V
		Max	3.35	V	
V_{OUT} Low	Logic LOW level output voltage	Max	0.40	V	
V_{OUT} High	Logic HIGH level output voltage	Min	2.40	V	
		Typ	2.85	V	
		Rev B versions (see Product Variants)	Typ	3.00	V
I_{IO}	Sink and source current	Max	4	mA	
C_{IO}	I/O pin capacitance	Typ	5	pF	
$R_{IN_PULL-UP}$	Input signals (including \overline{RESET}) internal pull-up	Min	30	kOhm	
		Typ	40	kOhm	
		Max	50	kOhm	
t_{Reset}	Reset pulse length	Min	300	ns	

Table 5: Input/output signals

2.3.3 Environmental

Parameter		Model	Value	Unit
Storage temperature	Min	Without JST connector	-40	°C
		With JST connector	-25	°C
	Max	Without JST connector	+125	°C
		With JST connector	+85	°C
Operating temperature	Min	Without JST connector	-30	°C
		With JST connector	-25	°C
	Max	All	+85	°C

Table 6: Temperatures characteristics

2.4 Hardware Reset

A hardware $\overline{\text{RESET}}$ input is available on the J3 and J6 connectors (see [Pin Numbering](#)). An external reset source must be open drain collector, see section [Reset](#) for design examples. The $\overline{\text{RESET}}$ pin is internally pulled-up with 30kOhm. All signal pins are floating in reset state.

3 Operating Status

The module can be in different modes (see the Serial Port Adapter AT command Specification for more information about the modes) and the RED, GREEN and BLUE signals can be used to detect or indicate the status. The LED signals are active LOW.

Serial Port Adapter Mode	Status	RGB LED Color	GREEN GPIO	BLUE GPIO	RED GPIO
Data mode	IDLE	Green	LOW	HIGH	HIGH
AT mode	IDLE	Orange	LOW	HIGH	LOW
Data mode, AT mode	CONNECTING*	Purple	HIGH	LOW	LOW
Data mode, AT mode	CONNECTED*	Blue	HIGH	LOW	HIGH

*On data activity the active LEDs flashes and will be HIGH for 50-100ms. For information on how to suppress the flashes see section [BLUE Signal](#).

Table 7: Signal states in different module modes

DTR signal can be set to indicate an active Bluetooth link. For more information see Serial Port Adapter AT command Specification.

4 Antennas

This chapter gives an overview of the different antenna options.

There are 2 different antenna options available:

- Internal surface mounted (SMD) antenna.
- An U.FL. connector for external antennas. Different types of external antennas are available.

The sections below lists the antennas that are included in the radio type approvals of the module. For each antenna the "Approvals" field defines in which test reports the antenna is included. Definitions of the "Approvals" field are:

- **FCC** - The antenna is included in the FCC test reports, and thus approved for use in countries that accept the FCC radio approvals, primarily US.
- **IC** - The antenna is included in the IC (Industrie Canada) test reports, and thus approved for use in countries that accept the IC radio approvals, primarily Canada.
- **RED** - The antenna is included in the ETSI test reports, and thus approved for use in countries that accept the Radio Equipment Directive (RED), primarily the European countries.
- **MIC** - The antenna is included in the Japanese government affiliated MIC test reports, and thus approved for use in the Japanese market.

In general, antennas with SMD antenna, Reverse Polarity SMA connector or U.FL connector are included in FCC, IC, RED and MIC radio tests. Antennas with SMA connector are in general included in RED and MIC radio tests but not FCC or IC due to FCC/IC regulations.

4.1 Surface Mounted Antennas (Internal)

Part Number	OBS421i
Antenna name	FR05-S1-N-0-102
Manufacture	Fractus
Gain	1 dBi
Antenna size (LxWxH)	7.0 x 3.0 x 2.0 mm
Comment	The antenna gain is very dependent of the mounting of the module. See section Antenna Issues for mounting the module considering the antenna.
Approval	FCC, IC, RED and MIC



Part Number OBS421j

Antenna name [FR05-S1-N-0-104](#)


Manufacture [Fractus](#)

Gain 0 dBi

Antenna size (LxWxH) 7.0 x 3.0 x 1.0 mm

Comment The antenna gain is very dependent of the mounting of the module. See section Antenna Issues for mounting the module considering the antenna. Please note that this version is only available on special request. The antenna performance is limited because of the small size of the antenna.

Approval FCC, IC, RED and MIC

4.2 External antennas

The external antennas are connected to the board through a U.FL connector. Some of the antennas are connected directly to the U.FL connector of the board and some are connected using an SMA or reversed polarity SMA connector through a short U.FL to SMA or reversed polarity SMA adapter cable.

Antennas with a part number in the form "cB-ACC-XX" used to be available for orders via the connectBlue distribution network. Since the acquisition of connectBlue by u-blox antennas can not be ordered from u-blox. To order antennas please contact the manufacturer or the manufacturer distribution network. For information about other antennas please contact u-blox.

4.2.1 Antenna Accessories

Part Number [cB-ACC-18](#) / [cB-ACC-48](#)


Name U.FL to SMA adapter cable
 cB-ACC-18 manufacturer part number: K123249002
 cB-ACC-48 manufacturer part number: K1994/01


Manufacture/supplier cB-ACC-18: [Stig Wahlström](#)
 cB-ACC-48: [IMS Connector Systems](#)


Connector U.FL and SMA jack (outer thread and pin receptacle)

Cable length 120 mm

Part Number	cB-ACC-18 / cB-ACC-48
Cable loss	Less than 0.5dB
Comment	The SMA connector may be mounted in a panel.
Approval	RED and MIC

Part Number	cB-ACC-38	
Name	U.FL to reverse polarity SMA adapter cable Manufacturer part number: K123743001	
Manufacture /supplier	Stig Wahlström	
Connector	U.FL and reverse polarity SMA jack (outer thread and pin)	
Cable length	120 mm	
Cable loss	Less than 0.5dB	
Comment	The reverse polarity SMA connector may be mounted in a panel.	
Approval	FCC, IC, RED and MIC	

4.2.2 Recommended antennas

Part Number	cB-ACC-61	
Name	Ex-IT 2400 RP-SMA 28-001	
Manufacture	ProAnt	
Polarization	Vertical	
Gain	+3.0 dBi	
Size	Ø 12.0 x 28.0 mm	
Connector	Reverse Polarity SMA plug (inner thread and pin receptacle)	
Comment		

Part Number cB-ACC-61

To be mounted on the U.FL to Reverse Polarity SMA adapter cable (cB-ACC-38).
 An SMA version antenna is also available but not recommended to use (Ex-IT 2400 SMA 28-001).

Approval FCC, IC, RED and MIC

Part Number cB-ACC-63

Name Ex-IT 2400 MHF 28



Manufacture [ProAnt](#)

Polarization Vertical

Gain +2.0 dBi

Size Ø 12.0 x 28.0 mm

Cable length 100 mm

Connector U.FL. connector

Comment To be mounted on the U.FL connector on the PCB.

Approval FCC, IC, RED and MIC

Part Number cB-ACC-64

Name Ex-IT 2400 RP-SMA 70-002



Manufacture [ProAnt](#)

Polarization Vertical

Gain +3.0 dBi

Size Ø 10 x 83 mm

Connector Reverse Polarity SMA plug (inner thread and pin receptacle)

Part Number cB-ACC-64

Comment To be mounted on the U.FL to Reverse Polarity SMA adapter cable (cB-ACC-38).
An SMA version antenna is also available but not recommended to use (Ex-IT 2400 SMA 70-002).

Approval FCC, IC, RED and MIC

Part Number cB-ACC-60

Name Ex-IT 2400 MHF 70-001



Manufacture [ProAnt](#)

Polarization Vertical

Gain +3.0 dBi

Size Ø 9.4 x 70.5 mm

Cable length 100 mm

Connector U.FL. connector

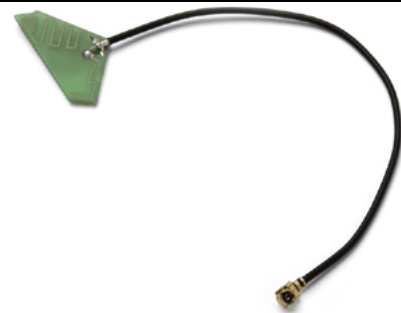
Comment To be mounted on the U.FL connector on the PCB.

Approval FCC, IC, RED and MIC

Part Number cB-ACC-57

Name InSide-2400

Part Number **cB-ACC-57**



Manufacture [ProAnt](#)

Gain +3.0 dBi

Size 27 x 12 mm (triangular)

Cable length 100 mm

Connector U.FL. connector

Comment To be mounted on the U.FL connector on the PCB.

Approval FCC, IC, RED and MIC

Part Number **cB-ACC-66**

Name FlatWhip-2400



Manufacture [ProAnt](#)

Gain +3.0 dBi

Size Ø 50.0 x 30.0 mm

Connector SMA plug (inner thread and pin)

Comment To be mounted on the U.FL to SMA adapter cable.

Approval RED and MIC

Part Number **cB-ACC-67**

Name Outside-2400

Part Number **cB-ACC-67**



Manufacture	ProAnt
Gain	+3.0 dBi
Size	36.0 x 18.0 x 16.0 mm
Cable length	70 mm
Connector	U.FL. connector
Comment	To be mounted on the U.FL connector on the PCB.
Approval	FCC, IC, RED and MIC

4.2.3 Alternative antennas

The alternative antennas are available for backward compability but not recommended for new designs.

Part Number **cB-ACC-16 / cB-ACC-36**

Name WCR2400-SMA / WCR2400-SMRP


Manufacture	Laird Technologies /Centurion
Polarization	Vertical
Gain	+2.0 dBi
Size	100 mm (Straight)

Part Number cB-ACC-16 / cB-ACC-36

Connector cB-ACC-16: SMA plug (inner thread and pin)
 cB-ACC-36: Reverse Polarity SMA plug (inner thread and pin receptacle)

Comment cB-ACC-16 is to be used together with the U.FL to SMA adapter cable (cB-ACC-18 or cB-ACC-48).
 cB-ACC-36 is to be used together with the U.FL to Reverse Polarity SMA adapter cable (cB-ACC-38).

Approval cB-ACC-36: FCC, IC, RED and MIC
 cB-ACC-16: RED and MIC

Part Number cB-ACC-27 / cB-ACC-29

Name WCR-2400-IP04 / WCR-2400-IP10



Manufacture [Laird Technologies/Centurion](#)

Polarization Vertical

Gain +2.0 dBi

Size 108 mm (Straight)

Cable length cB-ACC-27: 100 mm
 cB-ACC-29: 250 mm

Connector U.FL. connector

Comment To be mounted on the U.FL connector on the PCB.

Approval FCC, IC, RED and MIC.

Part Number cB-ACC-23

Name PSTG0-2400HS



Manufacture [Mobile Mark Communications Antennas](#)

Polarization Vertical

Part Number cB-ACC-23

Gain 0 dBi

Size Ø 9.5 x 26 mm

Connector SMA plug (inner thread and pin)

 Comment To be used together with the U.FL to SMA adapter cable (cB-ACC-18 or cB-ACC-48).
An alternative Reverse Polarity SMA version antenna is available (PSTG0-2400HRS).

Approval RED and MIC

Part Number cB-ACC-28

Name NanoBlue-IP04


 Manufacture [Laird](#)

Polarization Linear

Gain +2.0 dBi

Size 47.8 x 12.7 x 0.9 mm

Cable length 100 mm

Connector U.FL. connector

Comment To be mounted on the U.FL connector on the PCB.

Approval FCC, IC, RED and MIC

Part Number cB-ACC-17 / cB-ACC-37

Name Reel planTec Bluetooth m70


 Manufacture [REEL](#)

Part Number cB-ACC-17 / cB-ACC-37

Gain	+1.0 dBi
Size	Ø 75 x 20 mm
Mounting	M16 x 13.6 mm
Connector	cB-ACC-17: SMA plug (inner thread and pin) cB-ACC-37: Reverse Polarity SMA plug (inner thread and pin receptacle)
Cable length	300 cm. Other cable lengths are available on request.
Comment	cB-ACC-17 is to be used together with the U.FL to SMA adapter cable (cB-ACC-18 or cB-ACC-48). cB-ACC-37 is to be used together with the U.FL to Reverse Polarity SMA adapter cable (cB-ACC-38).
Approval	cB-ACC-37: FCC, IC, RED and MIC. cB-ACC-17: RED and MIC.

Part Number cB-ACC-21

Name R380.500.127



Manufacture	Pulse
Polarization	Vertical
Gain	+2.0 dBi
Size	Ø 14.3 x 61.4 mm
Connector	SMA plug (inner thread and pin)
Comment	To be mounted on the U.FL to SMA adapter cable (cB-ACC-18 or cB-ACC-48). A Reverse Polarity SMA version is also available (R380.500.125).
Approval	RED and MIC

Part Number —

Name R380.500.139

Part Number —



Manufacture [Pulse](#)

Polarization Vertical

Gain +2.0 dBi

Size Ø 14.3 x 61.1 mm

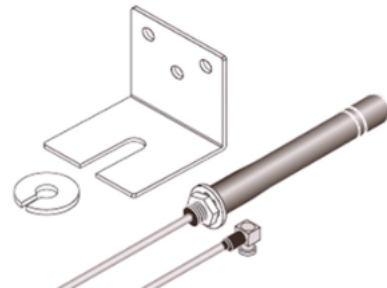
Connector Reverse Polarity SMA plug (inner thread and pin receptacle)

Comment The difference compared to the R380.500.125 antenna is that the R380.500.139 antenna has a seal ring.
To be mounted on the U.FL to Reverse Polarity SMA adapter cable (cB-ACC-38).
An SMA version antenna is also available (R380.500.124).

Approval FCC, IC, RED and MIC

Part Number —

Name IHF-242



Manufacture [Joymax](#)

Polarization Vertical

Gain +2.0 dBi

Size Ø 9.2 x 82.5 mm

Cable length 150 cm

Connector MCX male connector

Part Number —

Comment To be mounted on a MCX to U.FL adapter cable.

Approval FCC, IC, RED and MIC

5 Mechanics

5.1 Module Outlines

5.1.1 Dimensions

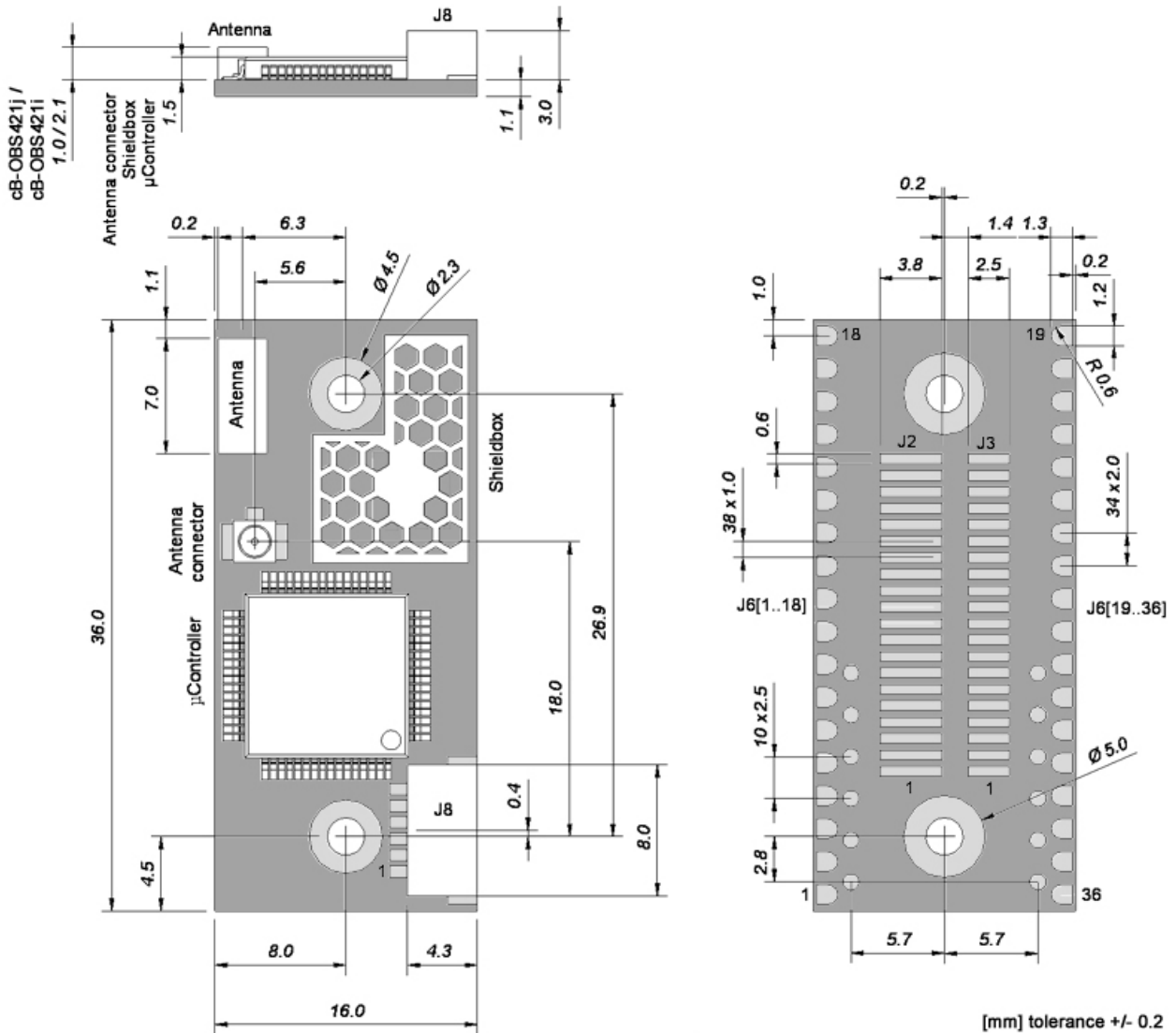


Figure 7: cB-OBS421 dimensions [mm].

The J2 pads are longer to fit both the single and double row ASP connectors (see section [Using the J2/J3 Board-to-Board Connectors](#)).

Weight: 2 g

5.1.2 Mounting Holes

There are 2 x 2.3mm mounting holes on the cB-OBS421 module. The reasons for the 2.3mm holes are that the threaded M2 holes on the single and double row connectors (see section [Suitable One-Piece Part Connectors](#)) are not aligned. The outer tangents of the 2.3mm holes align the module if the single row connectors are used and the inner if double row connectors are used (see Figure 8).

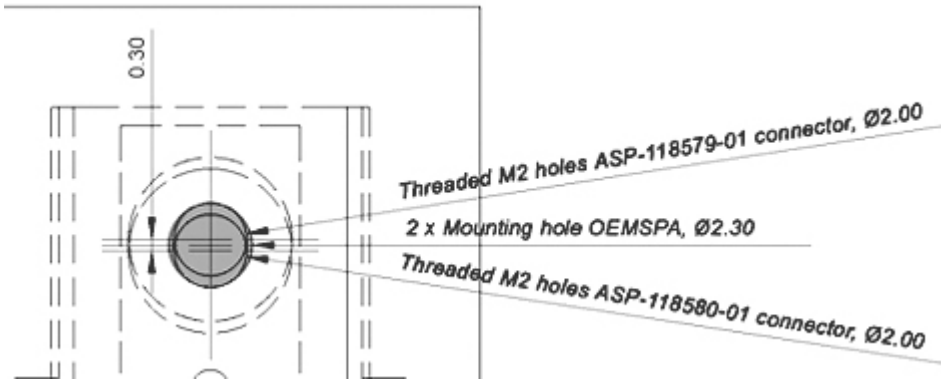


Figure 8: The 2.3mm mounting holes [mm].

5.2 Using the J2/J3 Board-to-Board Connectors

The board-to-board connector should be a 1 mm pitch one-piece part connector. The recommended manufacture is [Samtec](#).

The [Electrical Interface and Connectors](#) section contains more information about the connector and the electrical interface.

5.2.1 Single row connectors

The single row connector SEI-120-02 can be used but is not recommended for new designs.

5.2.2 Double row connectors

This connector has a height of 3.0mm and this has to be considered if components are to be mounted on the motherboard under the OEM Serial Port Adapter board. There are alignment pins on the bottom side of the connector.

The connector is available with M2 threaded inserts that fit the mounting holes on the board (see section [Mounting Holes](#)). If you want to have a tighter and more secure mounting you may use longer screws and secure it using a nut on the backside of the motherboard.

Samtec order number	Quote number	Equivalent part	Package	Remark
REF-120018-01	55392	FSI-120-03-G-D-M-AB	Tube	With M2 threaded inserts and align pin on bottom side only
REF-120018-02	55392	FSI-120-03-G-D-M-AB-K-TR	Tape-n-Reel	With M2 threaded inserts and align pin on bottom side only

Table 9: Double row connectors from Samtec

NOTE

For technical questions regarding the Samtec connectors please contact u-blox or Samtec at (Scandinavia@samtec.com).

See Figure 10 for more information about the connector and necessary measurements on the motherboard.

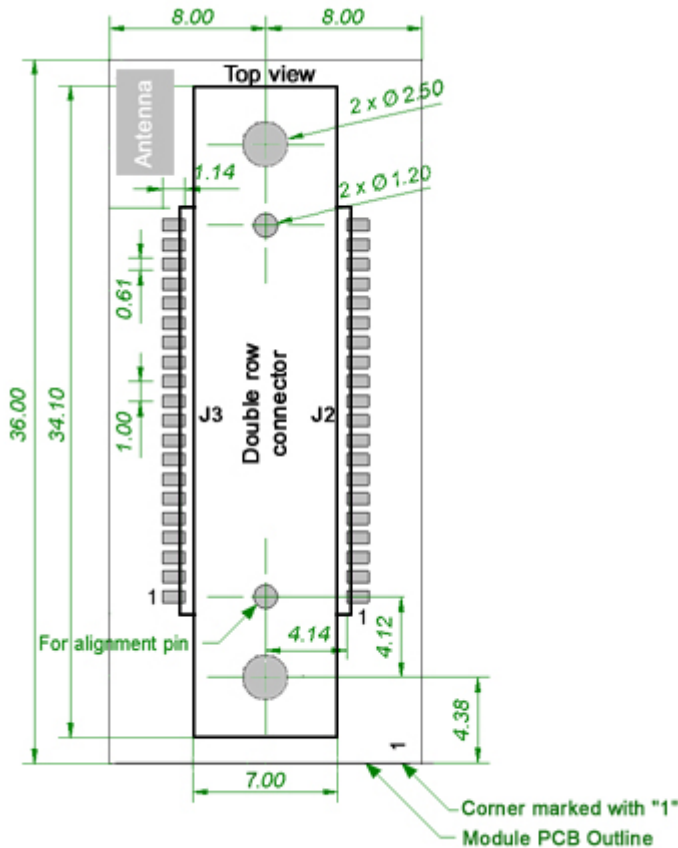


Figure 10: Host PCB layout [mm] for double row connector.

5.3 Using the J6 PCB solder pads

5.3.1 Host Board

The host PCB footprint should not contain any traces or vias under the module except the pads interfacing the J6 pads to avoid contact with traces/vias on the module. The host pads which are soldered to the J6 pads should match the J6 pads but could be extended 0.5-1.0mm outside the module for visual solder inspection. No other pads than the J6 should be soldered to the host PCB. See section [J2, J3 and J6 Connectors](#) for more info about the J6 pads.

5.3.2 Mounting process

We strongly recommend the modules not being soldered more than 1 time after shipping from u-blox and that the modules are mounted just before the host product is being soldered the last time. Although, u-blox devices will withstand up to two reflows to an absolute maximum temperature of 250°C.

- The PCB in our modules is made of FR4-type with Chemical Gold Pads.
- The modules are produced in a lead-free process with a lead-free soldering paste.
- It is recommended that the customers make their own electrical, climate, stress and vibration tests on the final assembled product to secure that the manufacturing process hasn't damaged or affected the Bluetooth module in any way.
- The device recommended maximum re-flow temperature is 245°C for 10 sec.
- The device absolute maximum re-flow temperature is 250°C for 3 sec.
- Modules of type OEM Serial Port Adapter 421 LE (rev B) (see [Note 3](#)):
 - Each module has a label with serial number in 2D barcode format. The label withstands the re-flow and baking process. NOTE that this label type applies only to the rev B version of the OBS421 (see [Note 3](#)). Labels on the other product variants are NOT heat resistant.
- Modules of type OEM Serial Port Adapter 421 LE (see [Note 2](#)) and type OEM Serial Port Adapter 421 (see [Note 1](#)):
 - Each module packaged in ESD-bag has a label with serial number in human readable format and product name in human readable format. The label does NOT withstand the re-flow or baking process.
 - Modules packaged on tape-and-reel or tray are delivered without labels on each module (unless otherwise specified) since the label does not withstand the re-flow or baking process.

5.4 Antenna Issues

The unit cannot be mounted arbitrary, because of the radio communication. The unit with an internal surface mounted antenna (cB-OBS421i) cannot be mounted in a metal enclosure. No metal casing or plastics using metal flakes should be used, avoid also metallic based paint or lacquer. Keep a minimum clearance of 5 mm between the antenna and the casing. Keep minimum 10 mm free space from metal around the antenna including under and above. If a metal enclosure is required, one of the external antenna options has to be used. See [Surface Mounted Antenna \(Internal\)](#) for more information on the antenna options available.

6 Bluetooth Information

6.1 General information

In the tables below you can find information about Bluetooth properties.

Parameter	OBS421 without low energy support (Note 1)	OBS421 with low energy support (Note 2 and Note 3)
Bluetooth radio	Texas Instrument CC2564	Texas Instrument CC2564
Host micro controller	ST Microelectronics STM32F10x	ST Microelectronics STM32F10x
RF output power - Classic Bluetooth	Class 1, Max 10 dBm + antenna gain (See Antennas)	Class 1, Max 10 dBm + antenna gain (See Antennas)
RF output power - Bluetooth low energy	Not applicable	Max 5 dBm + antenna gain (See Antennas)
Receive sensitive level - Classic Bluetooth	-90dBm - antenna gain (See Antennas).	-90dBm - antenna gain (See Antennas).
Receive sensitive level - Bluetooth low energy	Not applicable	-91 dBm - antenna gain (See Antennas).
Output frequency	2.402 - 2.480 GHz, ISM band	2.402 - 2.480 GHz, ISM band
Bluetooth stack	u-blox Embedded Bluetooth Stack	u-blox Embedded Bluetooth Stack 2.0
Bluetooth qualification	2.1 + EDR	4.0

Table 10: Bluetooth information cB-OBS421

6.2 Bluetooth Qualification information



All products based on the PCB cB-0946 have been qualified according to the Bluetooth specification. OBS421 module versions without low energy support ([Note 1](#)) are qualified according to Bluetooth specification v2.1+EDR. OBS421 module versions with low energy support ([Note 2](#) and [Note 3](#)) are qualified according to Bluetooth specification v4.0.

For information how to List and Declare your product see the [Bluetooth Qualification Guide](#).

The following Bluetooth profiles are supported (covered functionality):

Classic Bluetooth technology:

-

- Generic Access Profile (GAP)
- Service Discovery Application Profile (SDAP)
- Serial Port Profile (SPP)
- Dial-up Networking Profile (DUN GW, DUN DT)
- Personal Area Network Profile (PAN PANU, PAN NAP)

Bluetooth low energy technology (applicable only for OBS421 with low energy support - [Note 2](#) and [Note 3](#)):

- Generic Access Profile (GAP)
- Generic Attribute Profile (GATT)
- Device Information Service (DIS)
- u-blox Low Energy Serial Port Service

The Bluetooth SIG's "Go To Market Toolkit" guides you through four key steps for success when going to market with a Bluetooth enabled product: <https://www.bluetooth.org/en-us/bluetooth-brand/go-to-market-toolkit>



The Bluetooth SIG has decided to withdraw the Bluetooth specification v2.1+EDR on July 1, 2020 and Bluetooth specification v4.0 on February 1, 2022. This means that from those respective dates, it is not possible to create new Bluetooth Declarations for end products based on that Bluetooth version (such as products using the OBS421 series modules). End products with Bluetooth Declarations completed before those respective withdrawal dates are not affected, but after those dates, it is not possible to make any changes to those Bluetooth Declarations. For more information see <https://www.bluetooth.com/specifications/archived-specifications/>



The Bluetooth Declaration of the end product is mandatory for members of the Bluetooth SIG. It is mandatory to be a member of the Bluetooth SIG to be allowed to use the Bluetooth brand logo or brand name.

7 Regulatory Information

7.1 European Union regulatory compliance

7.1.1 Declaration of Conformity

Information about the regulatory compliance of the European Union for OBS421 is available in the *OBS421 Declaration of Conformity (UBX-15014547)* available at www.u-blox.com.

7.1.2 Safety Compliance

In order to fulfill the safety standard EN 60950-1 the unit must be supplied by a limited power source.

7.2 FCC and IC Compliance

See the [Product Variants](#) section for information about the different product variants.

7.2.1 Compliance for cB-0946

FCC Statement for cB-0946

This device complies with Part 15 of the FCC Rules. Operation is subject to the following two conditions:

- (1) this device may not cause harmful interference, and
- (2) this device must accept any interference received, including interference that may cause undesired operation.

NOTE

This equipment has been tested and found to comply with the limits for a Class B digital device, pursuant to Part 15 of the FCC Rules. These limits are designed to provide reasonable protection against harmful interference in a residential installation. This equipment generates, uses and can radiate radio frequency energy and, if not installed and used in accordance with the instructions, may cause harmful interference to radio communications. However, there is no guarantee that interference will not occur in a particular installation. If this equipment does cause harmful interference to radio or television reception, which can be determined by turning the equipment off and on, the user is encouraged to try to correct the interference by one or more of the following measures:

- Reorient or relocate the receiving antenna
- Increase the separation between the equipment and receiver

- Connect the equipment into an outlet on a circuit different from that to which the receiver is connected

Consult the dealer or an experienced radio/TV technician for help.

Antenna

Our module type cB-0946 is for OEM integrations only. The end-user product will be professionally installed in such a manner that only the authorized antennas are used.

Caution

Any changes or modifications NOT explicitly APPROVED by u-blox could cause the module to cease to comply with FCC rules part 15, and thus void the user's authority to operate the equipment.

IC Compliance

Operation is subject to the following two conditions:

- (1) this device may not cause harmful interference, and
- (2) this device must accept any interference received, including interference that may cause undesired operation.

Le présent appareil est conforme aux CNR d'Industrie Canada applicables aux appareils radio exempts de licence. L'exploitation est autorisée aux deux conditions suivantes:

- (1) l'appareil ne doit pas produire de brouillage, et
- (2) l'utilisateur de l'appareil doit accepter tout brouillage radioélectrique subi, même si le brouillage est susceptible d'en compromettre le fonctionnement.

This device has been designed to operate with an antenna having a maximum gain of 3.5 dBi. Having a higher gain is strictly prohibited per regulations of Industry Canada. The required antenna impedance is 50 ohms.

To reduce potential radio interference to other users, the antenna type and its gain should be so chosen that the equivalent isotropically radiated power (EIRP) is not more than that required for successful communication.

The installer of this radio equipment must ensure that the antenna is located or pointed such that it does not emit RF field in excess of Health Canada limits for the general population; consult Safety Code 6, obtainable from Health Canada's website www.hc-sc.gc.ca/rpb

Labeling Requirements for End Product

For an end product using the product cB-0946 there must be a label containing, at least, the following information:

This device contains
FCC ID: PVH0946
IC: 5325A-0946

The label must be affixed on an exterior surface of the end product such that it will be visible upon inspection in compliance with the modular approval guidelines developed by the FCC.

In accordance with 47 CFR § 15.19 the end product shall bear the following statement in a conspicuous location on the device:

"This device complies with Part 15 of the FCC Rules.
Operation is subject to the following two conditions;

- (1) this device may not cause harmful interference, and
- (2) this device must accept any interference received, including interference that may cause undesired operation."

When the device is so small or for such use that it is not practicable to place the statement above on it, the information shall be placed in a prominent location in the instruction manual or pamphlet supplied to the user or, alternatively, shall be placed on the container in which the device is marketed. However, the FCC ID label must be displayed on the device.

In case, where the final product will be installed in locations where the end-user is not able to see the FCC ID and/or this statement, the FCC ID and the statement shall also be included in the end-product manual.

7.3 UL listing information

If a customer intends to UL list a product including any of the Bluetooth modules based on the PCB cB-0946 this information is useful:

The printed circuit board if produced according to the following specification:

- UL recognized ZPMV2 min. 105 °C flame class V-0 or better.

7.4 Japan Radio Equipment Compliance (MIC)

The cB-0946 module with the product name cB-OBS421 complies with the Japanese Technical Regulation Conformity Certification of Specified Radio Equipment (ordinance of MPT N°. 37, 1981), Article 2, Paragraph 1, Item 19, "**2.4GHz band wide band low power data communication system**". The cB-0946 MIC certification number is 204-210003.

When a product is placed on the Japanese market, the cB-OBS421 module product must be affixed with the following Specified Radio Equipment marking:



The minimum size of the logo is Ø3.0mm. The end product holder should also include a copy of the Japan Radio Certificate to the end product technical documentation. Contact support@u-blox.com for a copy of the Radio Certificate.

The end product is recommended to be marked with:

"Contains MIC ID: 204-210003"

7.5 China Radio Transmission Equipment Type Approval (SRRC)

In accordance with the provisions on the Radio Regulations of the People's Republic of China, the cB-0946 module with the product name OBS421i conforms to the provisions with its CMIIT ID: 2015DJ1181.

Please note that the following requirements apply for end products that are sold to China:

- Label with CMIIT ID number of the module is required to be placed on the end product.
- The following statement in Chinese must be on the end product and included in the Chinese user manual:

本设备包含型号核准代码为 CMIIT ID: 2015DJ1181 的无线电发射模块

(This device contains certified RF module which certificate number is CMIIT ID: 2015DJ1181)

NOTE! The SRRC expiry date is December 30, 2025. The CMIIT ID 2015DJ1181 and the information in this section is not valid after this date.

7.6 NCC Taiwan compliance

Module variant cB-OBS421i-24 has been certified for NCC, Taiwan. Contact u-blox for further information about the certification, and the requirements for utilizing the certification for an end product. Please note that other variants have not been certified for NCC, Taiwan.

7.6.1 Taiwan NCC certification ID

Certification ID for cB-OBS421i-24 is CCAI19LP0690T1.

7.6.2 Taiwan NCC Warning Statement

- 經型式認證合格之低功率射頻電機，非經許可，公司、商號或使用者均不得擅自變更頻率、加大功率或變更原設計之特性及功能。
- 低功率射頻電機之使用不得影響飛航安全及干擾合法通信；經發現有干擾現象時，應立即停用，並改善至無干擾時方得繼續使用。前項合法通信，指依電信法規定作業之無線電通信。低功率射頻電機須忍受合法通信或工業、科學及醫療用電波輻射性電機設備之干擾。

Statement translation:

- Without permission granted by the NCC, any company, enterprise, or user is not allowed to change frequency, enhance transmitting power or alter original characteristic as well as performance to approved low power radio-frequency devices.
- The low power radio-frequency devices shall not influence aircraft security and interfere legal communications; If found, the user shall cease operating immediately until no interference is achieved. The said legal communications means radio communications is operated in compliance with the Telecommunications Act. The low power radio-frequency devices must be susceptible with the interference from legal communications or ISM radio wave radiated devices.

7.6.3 Taiwan NCC labeling and documentation requirements for end product

Please contact u-blox for further information.

7.7 Compliance with RoHS directive



All products based on the PCB cB-0946 are produced according to the RoHS (Restriction of the use of certain Hazardous substances in electrical and electronic equipment) directive and complies with the directive.

8 Guidelines for Efficient and Safe Use

8.1 General

Read this information before using your OEM Serial Port Adapter.

For any exceptions, due to national requirements or limitations, when using your OEM Serial Port Adapter, please visit www.bluetooth.org.

NOTE

Changes or modifications to the product not expressly approved by u-blox will void the user's authority to operate the equipment.

8.2 Product Care

- Do not expose your product to liquid or moisture.
- Do not expose your product to extreme hot or cold temperature (see section [Environmental](#) for further information).
- Do not expose your product to lit candles, cigarettes, cigars, open flames, etc.
- Do not drop, throw or try to bend your product since rough treatment could damage your product.
- Do not attempt to disassemble your product. Doing so will void warranty. The product does not contain consumer serviceable or replaceable components. Service should only be performed by u-blox.
- Do not paint your product as the paint could prevent normal use.
- If you will not be using your product for a while, store it in a place that is dry, free from damp, dust and extreme heat and cold.
- The clearance and creepage distances required by the end product must be withheld when the module is installed.
- The cooling of the end product shall not negatively be influenced by the installation of the module when the module is installed.

8.3 Radio Frequency Exposure

The OEM Serial Port Adapter contains a small radio transmitter and receiver. During communication with other Bluetooth products the OEM Serial Port Adapter receives and transmits radio frequency (RF) electromagnetic fields (microwaves) in the frequency range 2400 to 2500 MHz. The output power of the radio transmitter is very low.

When using the OEM Serial Port Adapter, you will be exposed to some of the transmitted RF energy. This exposure is well below the prescribed limits in all national and international RF safety standards and regulations.

8.4 Electronic Equipment

Most modern electronic equipment, for example, in hospitals and cars, is shielded from RF energy. However, certain electronic equipment is not. Therefore:

 **NOTE**

This equipment emits RF energy in the ISM (Industrial, Scientific, Medical) band. Please insure that all medical devices used in proximity to this device meet appropriate susceptibility specifications for this type of RF energy.

8.5 Potentially Explosive Atmospheres

Turn off your electronic device before entering an area with potentially explosive atmosphere. It is rare, but your electronic device could generate sparks. Sparks in such areas could cause an explosion or fire resulting in bodily injury or even death.

Areas with a potentially explosive atmosphere are often, but not always, clearly marked. They include fuelling areas, such as petrol station, below deck on boats, fuel or chemical transfer or storage facilities, and areas where the air contains chemicals or particles, such as grain, dust, or metal powders.

8.6 Power Supply

The OEM Serial Port Adapter must be supplied by a limited power source according to EN 60950-1.

- Connect your power supply only to designated power-sources as marked on the product.
- Make sure all cords and cable are positioned so that they will not be stepped on, tripped over or otherwise subject to damage or stress.
- To reduce risk of electric shock, unplug the unit from any power source before attempting to clean it.

9 Application Notes

Usually only a subset of the available functionality is of interest to the designer. In addition, depending on the host system, the electrical interface can be designed in many ways. The designer can use the step-by-step guide in this chapter as an aid in the design process.

9.1 Step-by-Step Guide

Question	Yes	No
Are you going to integrate the OEM Serial Port Adapter in a metal enclosure?	Use one of the OEM Serial Ports Adapters with antenna connector for external antenna (cB-OBS421x).	Go on to next point.
Do you wish to use logic level when communicating with the OEM Serial Port Adapter?	See section Logic level Mode for electrical design.	See section External RS232 driver and External RS422 driver for electrical design.
Do you want to use RS232 as the physical serial interface?	See section External RS232 driver for electrical design.	Go on to next point.
Do you wish to connect LEDs to the OEM Serial Port Adapter?	See section LED and Switch Design for design examples for connecting the LEDs.	Go on to next point.
Do you want to detect the status of the module with a controller?	See section Operating Status for status detection and section LED and Switch Design for electrical design.	Go on to next point.
Do you wish to utilize the restore switch?	See section GREEN/Switch-1 for electrical design.	Go on to next point.
Do you wish to utilize the Function switch ("Connect on external signal")?	See section Switch-0 Signal for electrical design.	Go on to next point.
Do you want to manually reset the module?	See section Reset for electrical design. Use a double row connector. See section Double row connectors .	

Table 12: Step-by-step guide with Yes and No answers.

9.2 Design Examples

This section contains design examples for all interfaces on J2, J3, and J6. The connector type that suits a specific application depends on the needed signal and the preferred interface type (board-to-board or SMD).

9.2.1 Logic Levels

3.0/3.3 voltage host system

A 3.0/3.3V host system can be connected directly to the logic level pins (BLUE, UART-TxD / UART-RxD etc). A serial 100Ohm resistor shall be used (see Figure 12) for protection, see the [Characteristics](#) section for logic levels characteristics.

5 voltage host system

A 5V host system can easily be adjusted to the logic levels.

Module input signals in a 5V host system

The module input signals can use a resistive divider (1.8kOhm/2.2kOhm) to adjust the levels (See Figure 12). This is applicable for speeds up to 115.2kBits/s. The divider can be improved by adding a logic buffer (74HCT08) for higher speeds (see Figure 13). The resistor dividers consume current and a better solution could be to use the 5V input tolerant gates in the LVC family. The LVC gates are available in single, dual and quad gates packages (e.g. 74LVC1G08, 74LVC2G08 and 74LVC08). The LVC gates need to be power supplied with the module signal voltage levels (see [Input/Output signals](#)). The VCC_2V85 pin (see the [Pin Description](#) section) can be used for supplying the interface circuits. Notice that the VCC_2V85 output voltage supply is not available on all u-blox modules, e.g. if the application is designed to be used with different pin compatible u-blox modules.

The LVC gates could maybe also be used for output signals if the host input signals are TTL compatible ($V_{IN_HIGH_MIN} = 2V$). LVC gate can not be used on 5V CMOS input signals.

Module output signals in a 5V host system

The module output pins could require a buffer (see Figure 13) depending on the logic level requirements (see the [Characteristics](#) section). HCT gates supplied with 5V can be used in a 5V host system with TTL or CMOS inputs (see Figure 13). LVC gates can maybe be used for output signals if the host input signals are TTL compatible ($V_{IN_HIGH_MIN} = 2V$). LVC gate can not be used on 5V CMOS host input signals.

The 74HCT08 gate is also available in a single and dual gate package (74AHCT1G08 and 74AHCT2G08).

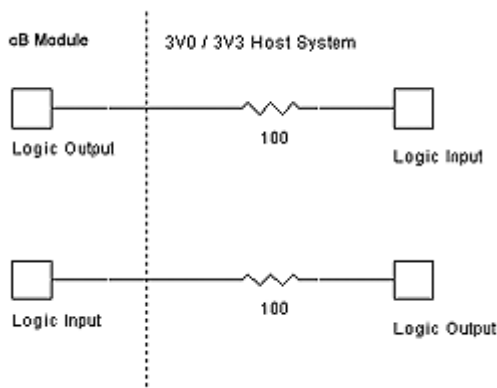


Figure 12: Logic levels interface to a 3/3.3V system. A protective 100Ohm resistor is used.

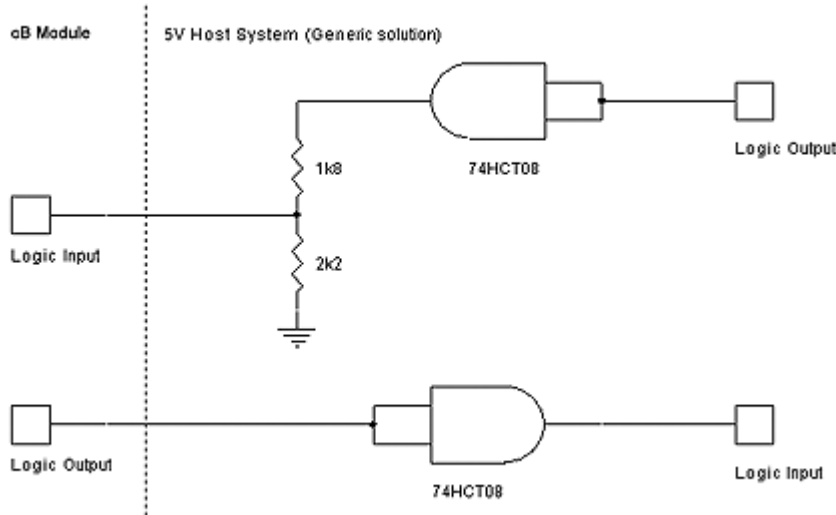
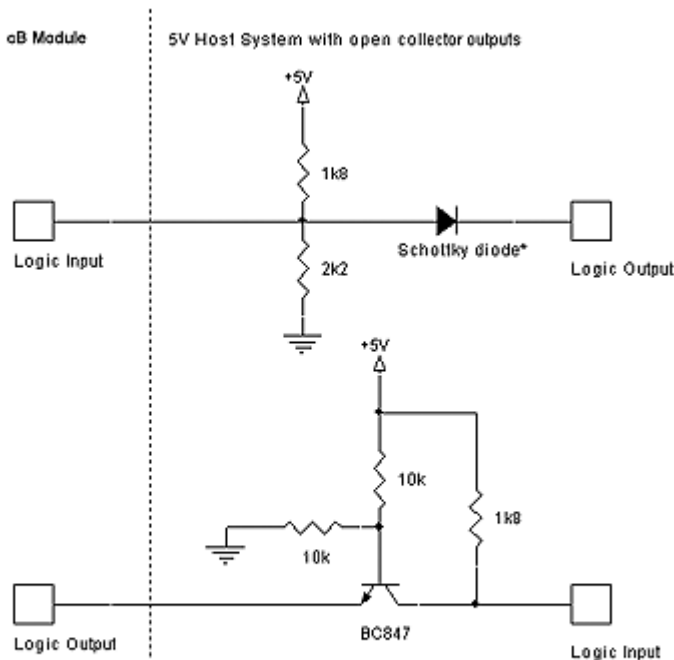


Figure 13: Interface example with logic levels to a 5V system. The gate converting from host 5V output to module input can be replaced with an LVC gate if the voltage divider is removed.

A 5V system with open collector outputs is designed in Figure 14.



* Recommended if the host controller are internally pulled-up

Figure 14: Open collector outputs.

9.2.2 Serial Interface

The serial interface of the module is Logic Level logic levels and the module can be connected to an external μ Controller (see section [Logic level Mode](#)).

An external driver is needed if the module should be on another physical interface like RS232 (see section [External RS232 driver - External RS422 driver](#)).

CTS (Clear To Send) and RTS (Request To Send) are used for hardware flow control.

DSR (Data Set Ready) can be used to make a connect attempt. See the Serial Port Adapter AT commands specification.

DTR (Data Terminal Ready) can be used to detect if the module is up and running and ready to receive data.

NOTE

The module must be configured to flow control none if hardware flow control is not used, see the Serial Port Adapter AT Commands specification.

Logic level Mode

The serial UART interface can be used in a host controller application with a UART interface. The design of the interface depends on the power supply voltage of the host system; see the [Logic Levels](#) section for voltage translation.

External RS232 driver

An external RS232 driver is needed if the module should have a RS232 serial interface. See Figure 15 for a complete design example that could be connected to the serial port of standard PC. Not used functionality can be left unconnected; see section [Serial Interface](#).

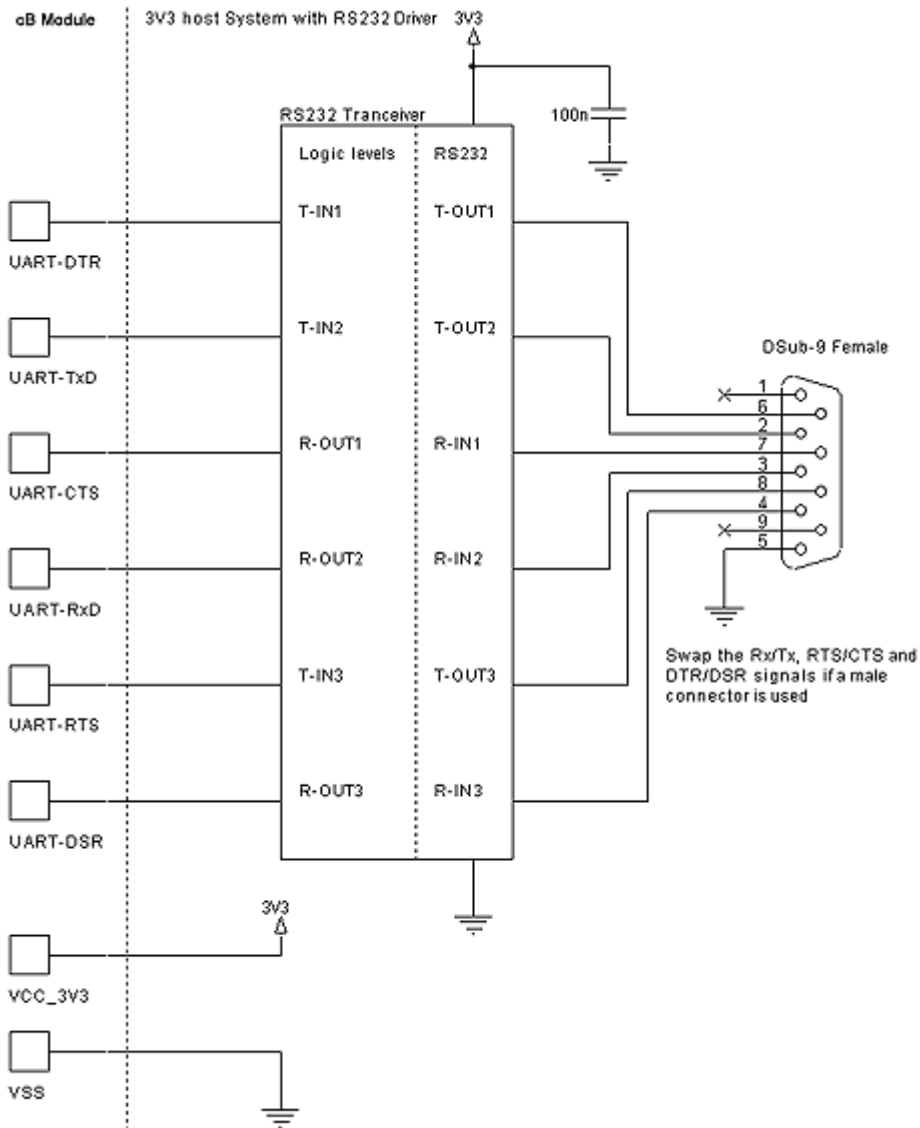


Figure 15: A complete RS232 interface.

External RS422 driver

An external RS422 driver could be used in a point-to-point (full duplex) application (see Figure 16).

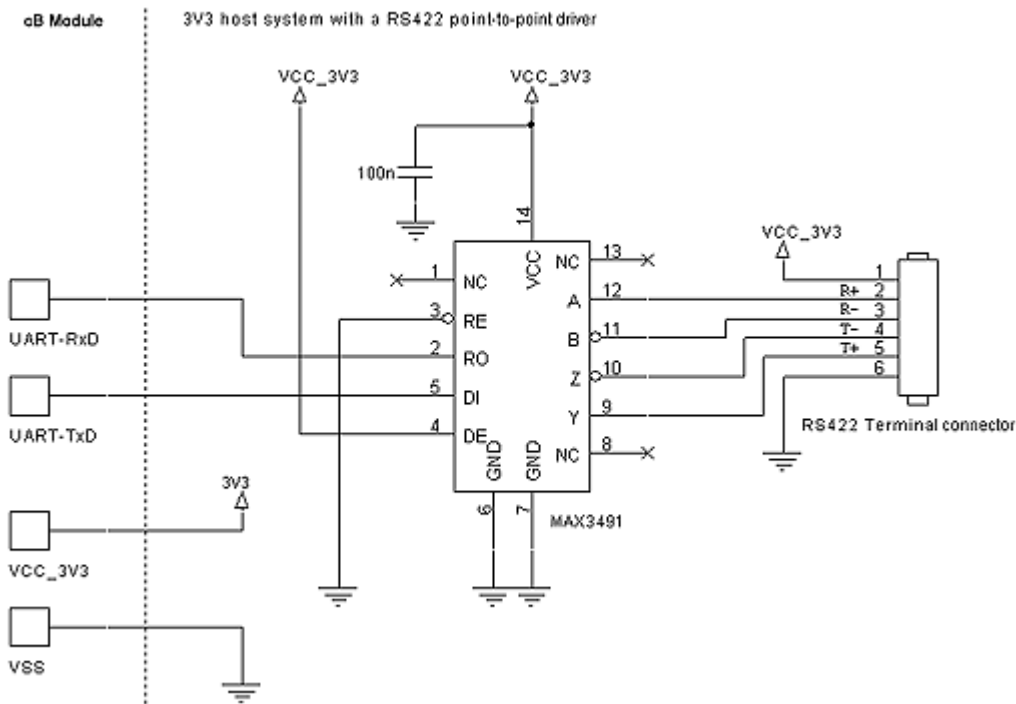


Figure 16: A complete RS422 interface.

External RS422/RS485 transceiver

A complete RS422/RS485 transceiver design connected to a bus system need to control the enable signals of the transceiver. The SerialSelect signals are used for this purpose (see Table 13). The module need to be software configured to the corrected interface, see the Serial Port Adapter AT Commands document how to configure the module to the correct serial interface. The Red /Mode pin is not allowed to be pull-down when using the SerialSelect signals (see the [Pin Description](#) section).

SerialSelect-0	SerialSelect-1	RS485/RS422 Transmitter status (Active high)	RS485/RS422 Receiver status (Active low)
0	0	Disabled	Enabled
0	1	Enabled	Enabled
1	0	Enabled	Disabled
1	1	Disabled	Disabled

Table 13: SerialSelect signals combinations

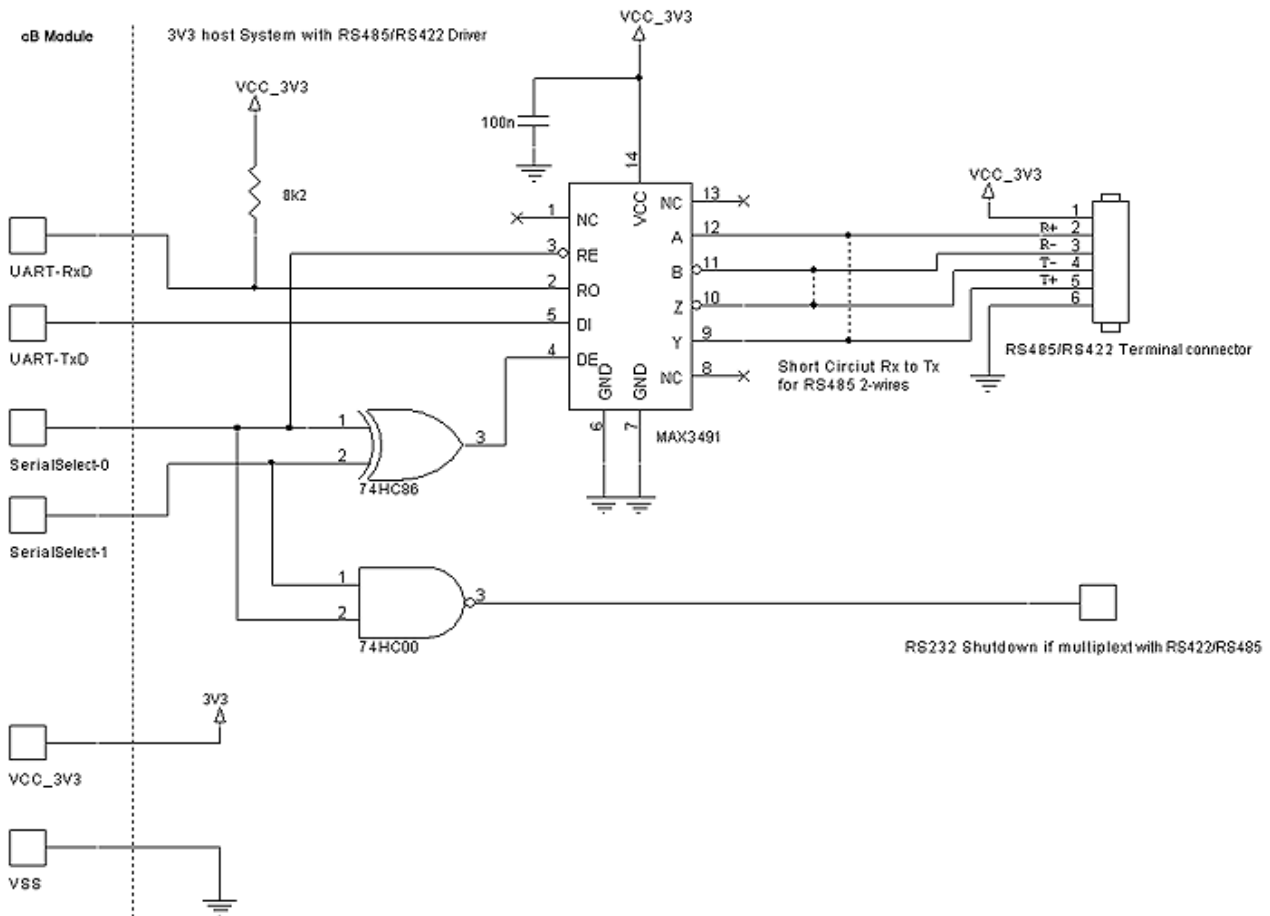


Figure 17: A complete RS422/RS485 transceiver design.

9.2.3 LED and Switch Design

BLUE Signal

The BLUE logic LED signal is not multiplexed with any other functionality, which makes the design more straightforward (see Figure 18). There are two important notes:

- A blue LED requires about 3.5V forward voltage drop (cannot be used in a 3.3V system).
- The BLUE signal can be used to detect if the module is connected or not. The BLUE signal flashes when the module is sending and receiving data (see section [Operating Status](#)). See Figure 19 for an example on how to suppress the flashes.

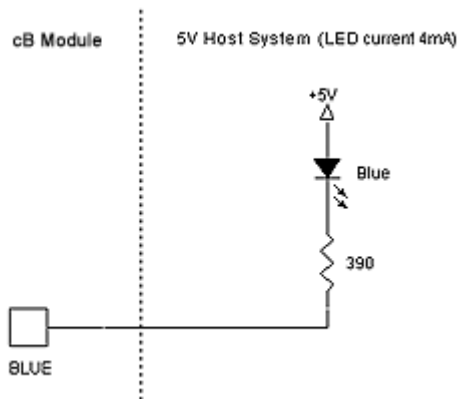


Figure 18: A blue LED can be connected directly to the module if the LED current is below 4mA. A high state (active low) makes the voltage drop over the LED to 2.2V. This is not enough to light the LED.

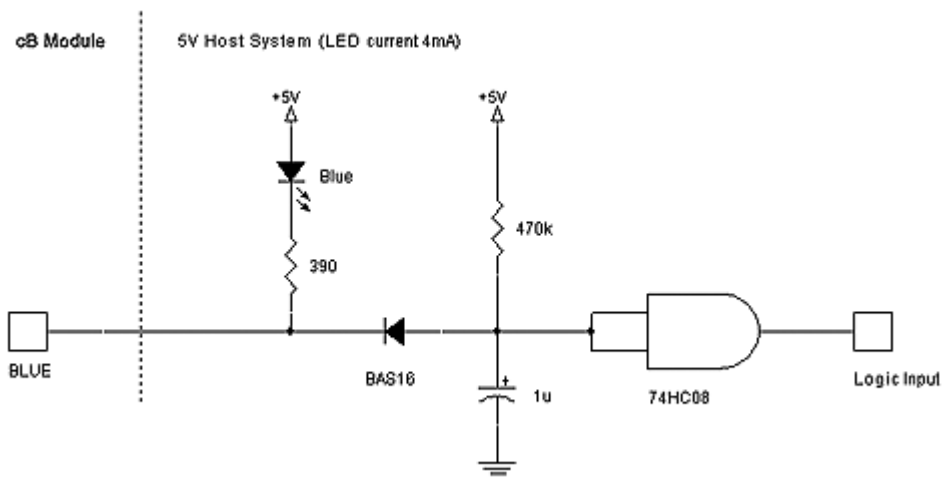


Figure 19: A Low pass filter and a 74HC08 suppresses the flashes when the module is sending and receiving data. The Blue LED can be removed if not required. The values are not suitable in all applications and need to be verified in a specific application.

RED/Mode Signal

The RED logic LED signal is not multiplexed with any other functionality. See Figure 20 for a 3.3V design.

In a 5V system the high state output from the module is not enough to turn off the LED so a 74HCT08 buffer can be used to raise the high level to 5V (see Figure 21).

The 74HCT08 gate is available in a single and dual gates package (74AHCT1G08 and 74AHCT2G08).

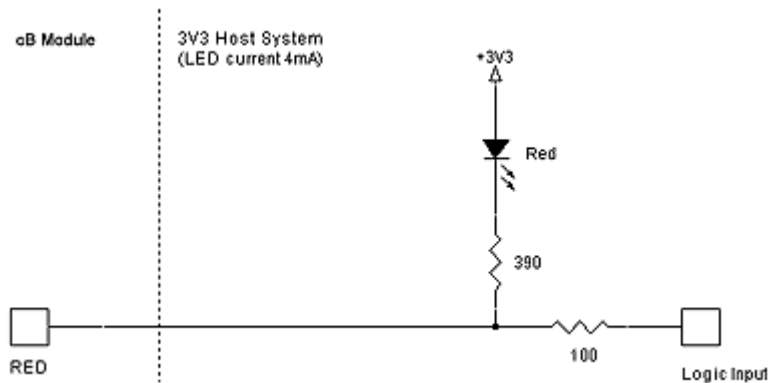


Figure 20: A red LED in a 3.3V host system. The status of the signal can also be used as input to a host controller.

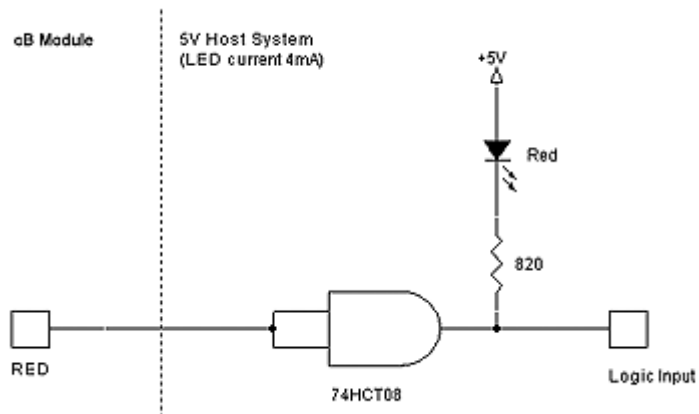


Figure 21: A red LED in a 5V host system. The status of the signal can also be used as input to a host controller.

The RED signal pin is also used to select Logic Level mode (instead of RS232) for u-blox products with internal RS232 driver e.g. cB-OEMSPA312. The mode functionality is not applicable on cB-OBS421 because there is no internal RS232 driver available. To be compatible with these products check this signal in their Electrical and Mechanical datasheet.

GREEN/Switch-1 signal

The GREEN/Switch-1 signal is a multiplexed signal:

- **GREEN** - Logic green LED signal (see the [Operating status](#) section). Becomes valid after the module has started up. The startup time can be up to 2 seconds (see the Serial Port Adapter AT Commands specification).

- Switch-1** - The module reads the status of the signal at startup to decide if the serial interface settings shall be restored (LOW). The module will restore all factory settings if both the Switch-1 and Switch-0 signals are low during start up. See the Serial Port Adapter AT Commands specification for more details. The input signal must be stable for the first 500ms after startup (after reset/power on reset).

The signal is internally pulled-up (see [Input/Output signals](#)) to the internal voltage supply (see [Power supply](#)) for NOT restoring settings to default values.

NOTE

The internal pull-up is changed compared to previous product generations from u-blox. See the [Migrating from Bluetooth cB-OEMSPA3xx to cB-OBS4xx products](#) section for more information.

If a LED is used and a switch is required to be able to restore the settings, a high impedance buffer need to prevent the signal from being pulled-up via the LED. See Figure 22-23 and the [Logic Levels](#) section for buffer selection.

Sometimes, over time, switch contacts can get an oxide layer. This may cause the closed switch resistance to become too high to sink the signal to logic LOW because the signal is internally pulled-up (see [Input/Output signals](#)). A design that prevents this can be found in Figure 27.

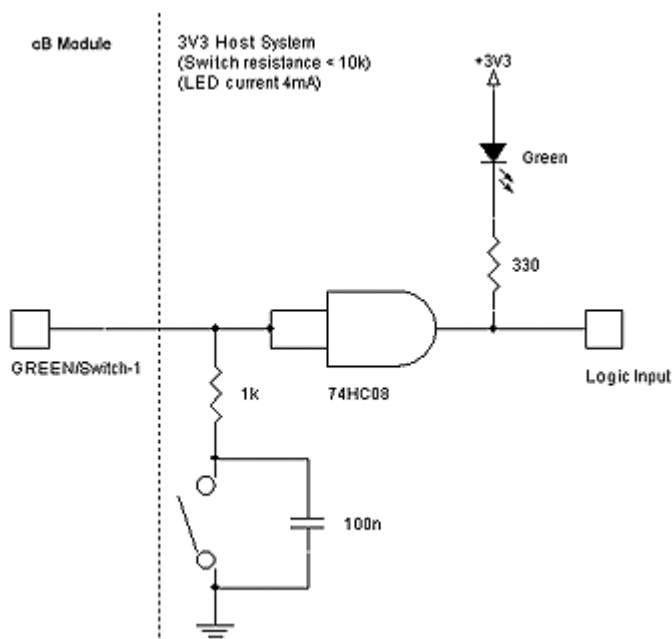


Figure 22: Switch-1 used together with a green LED in a 3.3V host system. The status of the signal can also be used as input to a host controller. Notice the 1kOhm serial resistor.

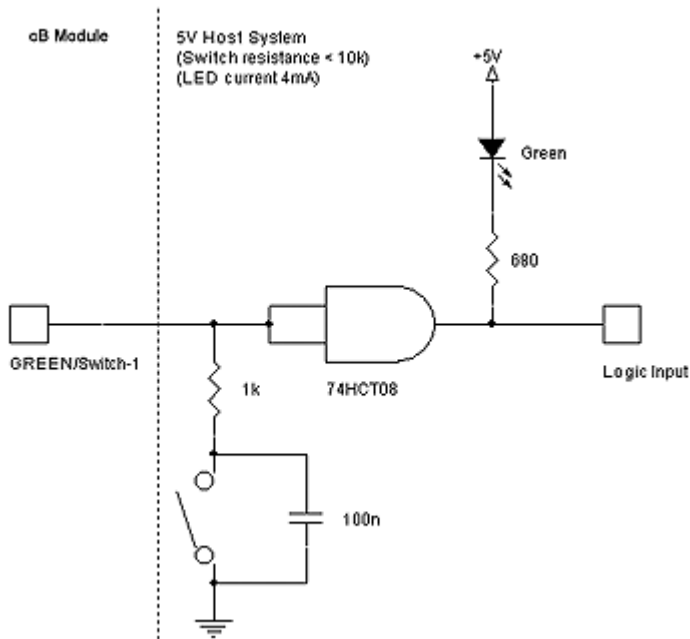


Figure 23: Switch-1 used together with a green LED in a 5V host system. The status of the signal can also be used as input to a host controller. Notice the 1kOhm serial resistor.

The buffer can be removed in a 3.3V system if no restore switch is required (see Figure 24).

In a 5V system the high state output from the module is not enough to turn off the LED, so a 74HCT08 buffer can be used to raise the high level to 5V (see Figure 25).

The 74HCT08 gate is also available in a single gate package (74AHCT1G08).

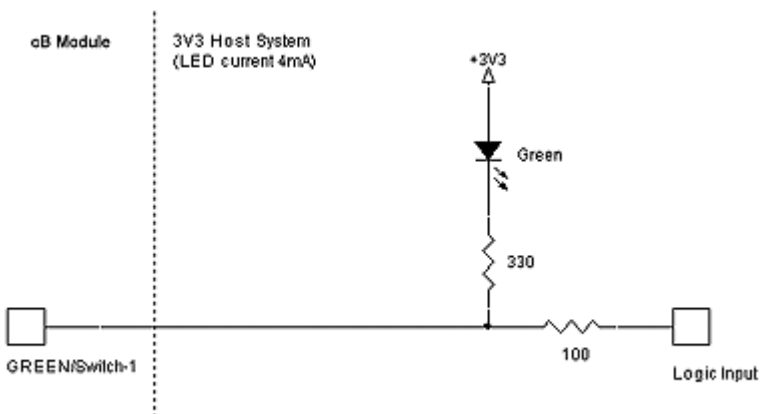


Figure 24: No restore switch used but a green LED in a 3.3V host system. The status of the signal can also be used as input to a host controller.

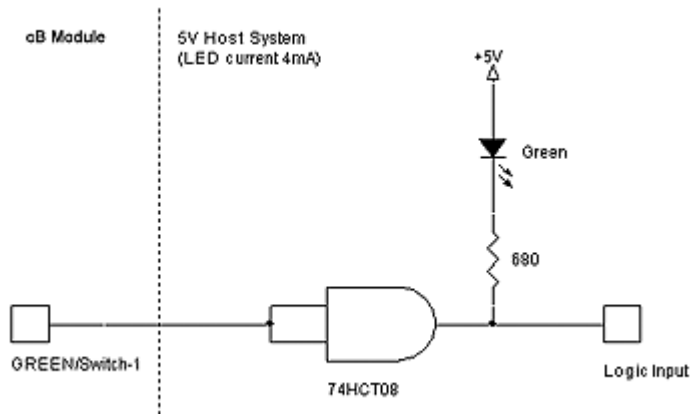


Figure 25: No restore switch used but a green LED in a 5V host system. The status of the signal can also be used as input to a host controller.

A serial resistor to the restore switch must be used to prevent a short circuit when the GREEN /Switch-1 pin is in output HIGH state and the switch is pressed (see Figure 26). Sometimes, over time, switch contacts can get an oxide layer. This may cause the closed switch resistance to become too high to sink the signal to logic LOW because the signal is internally pulled-up (see [Input/Output signals](#)). A design that prevents this can be found in Figure 27. The GREEN/Switch-1 pin can be left unconnected if none of its functionality is required.

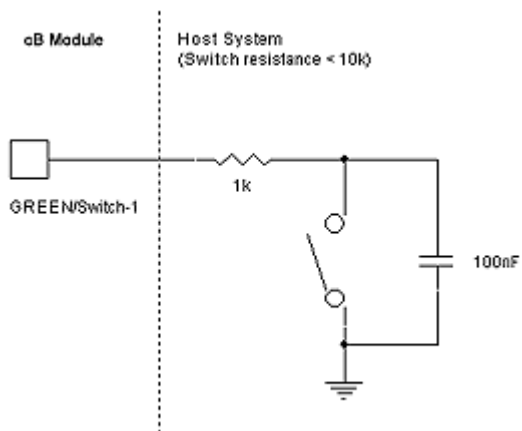


Figure 26: A low resistance restore switch used. Notice the 1kOhm serial resistor.

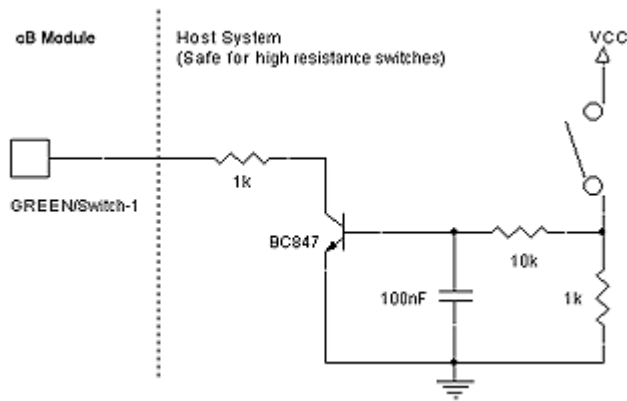


Figure 27: If the resistance in the switch is not guaranteed to be low enough, a safer design can be used. Notice the 1kOhm serial resistor.

Switch-0 Signal

Switch-0 is used for the external connect function. A secondary function is that the module will restore all factory settings if both the Switch-1 and Switch-0 signals are low during start up. See the Serial Port Adapter AT Commands specification for more details.

Sometimes, over time, switch contacts can get an oxide layer. This may cause the closed switch resistance to become too high to sink the signal to logic LOW because the signal is internally pulled-up (see [Input/Output signals](#)). A design that prevents this can be found in Figure 29.

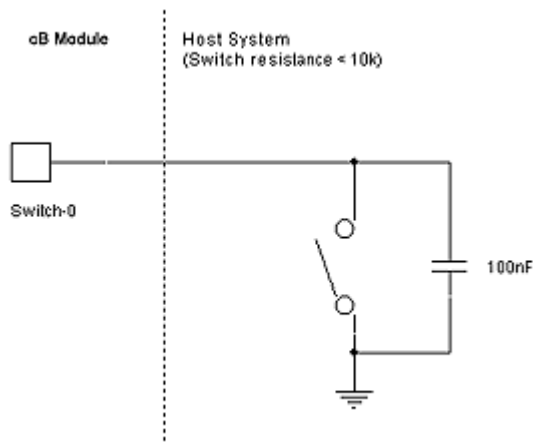


Figure 28: A low resistance function switch used.

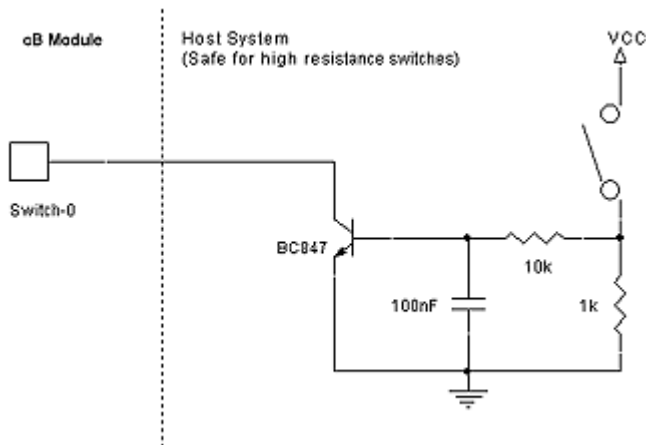


Figure 29: If the resistance in the switch is not guaranteed to be low enough, a safer design can be used.

The Switch-0 pin can be left unconnected if its functionality is not used.

9.2.4 Reset

The Reset-n pin could be sensitive to ESD discharge but the sensitivity can be decreased by adding a pull-up resistor and a shunt capacitor (e.g. see the design examples below), the values depends on the host design and need to be optimized for each application.

The Reset-n pin can be connected to an external reset source, see Figure 30 for a switch example. If the reset signal is connected to an output signal it must be an open drain collector, see Figure 31.

The Reset-n pin can be left unconnected if not used.

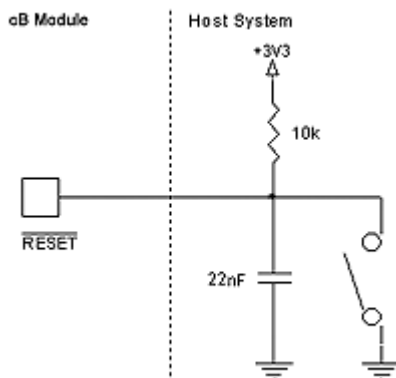


Figure 30: A reset switch.

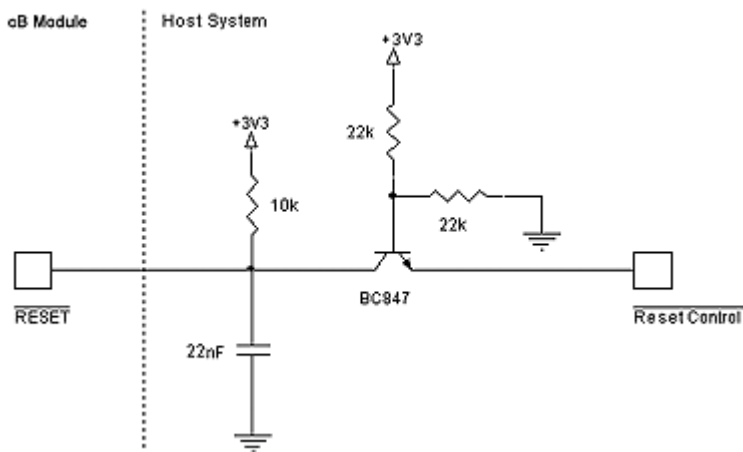


Figure 31: Design of an open collector reset from an active high output.

9.2.5 A Complete 5V Host System Interface

Figure 32 is a complete 5V host system interface example with an RGB LED and two switches (except the serial interface, see section [Serial Interface](#) for information). The design is based on the LM339 Quad OP-amp instead of logic gates.

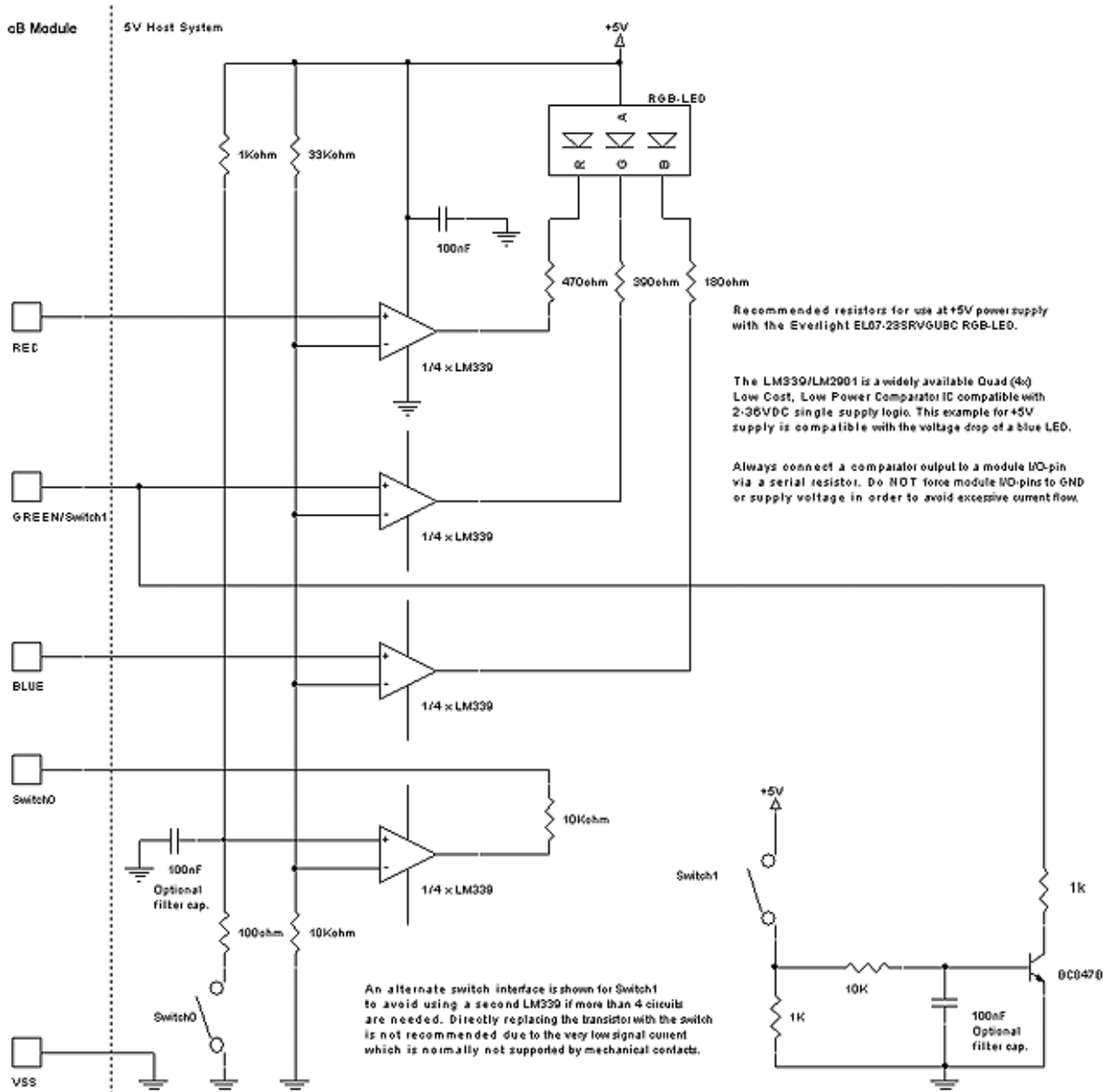


Figure 32: A complete 5V host interface with operational amplifier.

10 Explanation on notes

Note 1:

Modules without Bluetooth low energy support are:

- OBS421i-04
- OBS421j-04
- OBS421x-04
- OBS421i-06
- OBS421j-06
- OBS421x-06
- OBS421i-A? (where ? is any digit)
- OBS421j-A? (where ? is any digit)
- OBS421x-A? (where ? is any digit)

Note 2:

Modules with Bluetooth low energy support (that can be enabled by configurations command), module revision A are:

- OBS421i-14
- OBS421j-14
- OBS421x-14
- OBS421i-16
- OBS421j-16
- OBS421x-16
- OBS421i-B? (where ? is any digit)
- OBS421j-B? (where ? is any digit)
- OBS421x-B? (where ? is any digit)

Note 3:

Modules with Bluetooth low energy support (that can be enabled by configuration command), module revision B are:

- OBS421i-24
- OBS421x-24
- OBS421i-i4
- OBS421x-i4
- OBS421i-26
- OBS421x-26
- OBS421i-i6
- OBS421x-i6
- OBS421i-C? (where ? is any digit)

- OBS421x-C? (where ? is any digit)

11 Revision history

Revision	Date	Comments
R25	30-Jan-2019	Replaced "R&TTE" by "RED" to reflect the terminology of the Radio Equipment Directive (RED). Replaced "TELEC" by "MIC" to reflect the updated terminology of the Japan country certification. Added information about ordering codes for different software versions (table 1).
R26	13-Jan-2020	Added note about withdrawal of Bluetooth specification v2.1+EDR and v4.0 (section Bluetooth Qualification information). Added note to the iAP product variants that they are not for new designs (section Product Variants). Added information about NCC Taiwan approval for module variant OBS421i-24.
R27	28-Apr-2025	Added expiry date for China type approval (SRRC). Added a clarifying note that OBS421 is not for new designs.

Contact

For complete contact information visit us at www.u-blox.com

North, Central and South America

u-blox America, Inc.

Phone: +1 703 483 3180

E-mail: info_us@u-blox.com

Regional Office West Coast:

Phone: +1 408 573 3640

E-mail: info_us@u-blox.com

Technical Support:

Phone: +1 703 483 3185

E-mail: support_us@u-blox.com

Headquarters Europe, Middle East, Africa

u-blox AG

Phone: +41 44 722 74 44

E-mail: info@u-blox.com

Support: support@u-blox.com

Asia, Australia, Pacific

u-blox Singapore Pte. Ltd.

Phone: +65 6734 3811

E-mail: info_ap@u-blox.com

Support: support_ap@u-blox.com

Regional Office Australia:

Phone: +61 2 8448 2016

E-mail: info_anz@u-blox.com

Support: support_ap@u-blox.com

Regional Office China (Beijing):

Phone: +86 10 6813 3545

E-mail: info_cn@u-blox.com

Support: support_cn@u-blox.com

Regional Office China (Chongqing):

Phone: +86 23 6815 1588

E-mail: info_cn@u-blox.com

Support: support_cn@u-blox.com

Regional Office China (Shanghai):

Phone: +86 21 6090 4832

E-mail: info_cn@u-blox.com

Support: support_cn@u-blox.com

Regional Office China (Shenzhen):

Phone: +86 755 8627 1083

E-mail: info_cn@u-blox.com

Support: support_cn@u-blox.com

Regional Office India:

Phone: +91 959 1302 450

E-mail: info_in@u-blox.com

Support: support_in@u-blox.com

Regional Office Japan (Osaka):

Phone: +81 6 6941 3660

E-mail: info_jp@u-blox.com

Support: support_jp@u-blox.com

Regional Office Japan (Tokyo):

Phone: +81 3 5775 3850

E-mail: info_jp@u-blox.com

Support: support_jp@u-blox.com

Regional Office Korea:

Phone: +82 2 542 0861

E-mail: info_kr@u-blox.com

Support: support_kr@u-blox.com

Regional Office Taiwan:

Phone: +886 2 2657 1090

E-mail: info_tw@u-blox.com

Support: support_tw@u-blox.com