

M2-JODY-W3

M.2 card for JODY-W3 Wi-Fi 6 and Bluetooth 5.3

Data sheet



Abstract

This technical data sheet describes the M2-JODY-W3 card module which offers 802.11/ac/ax and dual-mode Bluetooth 5.3 in an M.2 Key E form factor. The M2-JODY-W3 card provides all the features and functionality supported in the JODY-W3 module, with the added benefits associated with easy installation and replacement. The card can be inserted in a standard M.2 Key E slot without the need to solder the module on a host or carrier PCB.

Document information

Title	M2-JODY-W3	
Subtitle	M.2 card for JODY-W3 Wi-Fi 6 and Bluetooth 5.3	
Document type	Data sheet	
Document number	UBX-21000485	
Revision and date	R06	27-Mar-2024
Disclosure restriction	C1-Public	

Product status	Corresponding content status	
Functional sample	Draft	For functional testing. Revised and supplementary data will be published later.
In development / Prototype	Objective specification	Target values. Revised and supplementary data will be published later.
Engineering sample	Advance information	Data based on early testing. Revised and supplementary data will be published later.
Initial production	Early production information	Data from product verification. Revised and supplementary data may be published later.
Mass production / End of life	Production information	Document contains the final product specification.

This document applies to the following products:

Product name	Type number	Chipset	IN/PCN reference	Product status
M2-JODY-W377	M2-JODY-W377-00C-00	NXP 88W9098	N/A	Initial production
M2-JODY-W377	M2-JODY-W377-01C-00	NXP 88W9098	N/A	Initial production

u-blox or third parties may hold intellectual property rights in the products, names, logos and designs included in this document. Copying, reproduction, or modification of this document or any part thereof is only permitted with the express written permission of u-blox. Disclosure to third parties is permitted for clearly public documents only.

The information contained herein is provided "as is". No warranty of any kind, either express or implied, is made in relation to the accuracy, reliability, fitness for a particular purpose or content of this document. This document may be revised by u-blox at any time. For most recent documents, please visit www.u-blox.com.

Copyright © u-blox AG.

Contents

Document information	2
Contents	3
1 Functional description	5
1.1 Overview.....	5
1.2 Product features	5
1.3 Product description	6
1.4 Block diagram	6
2 Interfaces	7
2.1 Boot configuration pins	7
2.2 PCIe	9
2.3 SDIO	9
2.4 UART.....	9
2.5 PCM/I2S	9
3 Pin definition	10
3.1 Pin assignment.....	10
3.2 Pin description.....	11
4 Electrical specifications	14
4.1 Absolute maximum ratings	14
4.2 Maximum ESD ratings	14
4.3 Operating conditions.....	14
4.1 Power consumption.....	14
4.2 Digital pad ratings.....	15
4.3 Radio specifications	15
4.3.1 Bluetooth	15
4.3.2 Wi-Fi	15
5 Antenna connectors	19
6 Voltages	20
7 Test points	22
8 Mechanical specification	23
8.1 Physical dimensions	23
9 Software	24
10 Approvals	25
10.1 Configuration of Wi-Fi transmit power limits	25
10.1.1 Wi-Fi power table	25
11 Product handling	26
11.1 Packaging	26
11.2 Shipment, storage, and handling	26
11.2.1 ESD handling precautions	26
12 Labeling and ordering	27
12.1 Ordering codes.....	28

Appendix	29
A.1. FCC/ISED regulatory domain	29
A.1.1. Wi-Fi Output power for 2.4 GHz band	29
A.1.2. Wi-Fi output power for 5 GHz band.....	30
B Glossary	34
Related documentation	35
Revision history	35
Contact.....	35

1 Functional description

1.1 Overview

The M2-JODY-W3 card features the JODY-W3 multi-radio module, based on the NXP 88W9098 chipset. The type 2230 Key E M.2 card supports all features and functionality of the module on a convenient expansion card that plugs directly to the host platform.

Even though the M2-JODY-W3 card is of standard grade, the module variant used on the card is the JODY-W377-00B professional grade module.

1.2 Product features

As the M2-JODY-W3 card supports all the features that the integrated JODY-W3 module supports, this document aims to describe the extended features of the M2-JODY-W3 card specifically. For more information about the JODY-W3 module, see the JODY-W3 series datasheet [1]. Table 1 describes the features of card.

	M2-JODY-W377
Grade	
Automotive	
Professional	
Standard	•
Radio	
Bluetooth qualification	v5.3
Bluetooth profiles	HCI
Bluetooth BR/EDR	•
Bluetooth Low Energy	•
Wi-Fi IEEE 802.11 standards	Wi-Fi 6 (802.11ax)
Wi-Fi 2.4 / 5 [GHz]	2.4 and 5
LTE filter	•
Bluetooth output power conducted [dBm]	10
Wi-Fi output power conducted [dBm]	19
Antenna type	3 U.FL connectors
OS support	
Android / Linux drivers (from u-blox)	•
Interfaces	
UART ^B	1
PCIe ^W	1
SDIO [version]	v3 [*]
PCM / I2S (Bluetooth audio)	1
Features	
Micro Access Point [max connects]	64
AES hardware support	•
Wi-Fi direct	•
RF parameters in OTP memory	•
MAC addresses in OTP memory	•
Concurrent dual band	•

B = For Bluetooth only
W = For Wi-Fi only

* = Requires minor hardware modification

Table 1: Key features of the M2-JODY-W3 card module

1.3 Product description

Product name	Description
M2-JODY-W3	Standard grade M.2 card module with three antenna connectors and concurrent dual-band 2x2 2.4 GHz and 5 GHz 802.11 ax, Bluetooth/Bluetooth Low Energy (LE) 5.3. NXP chipset 88W9098.

Table 2: Product description

1.4 Block diagram

Figure 1 shows a block diagram of the M2-JODY-W3 card module.

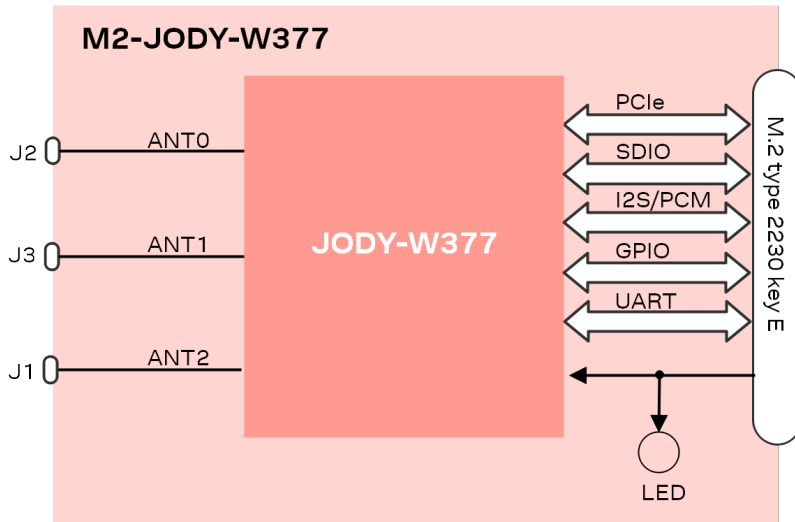


Figure 1: Block diagram of the M2-JODY-W3 card module

2 Interfaces

The M2-JODY-W3 card supports all JODY-W3 module interfaces. For more information about these interfaces, see the JODY-W3 series data sheet [\[1\]](#).

2.1 Boot configuration pins

By default, the M2-JODY-W3 card is configured for using the PCIe interface for Wi-Fi and the UART interface for Bluetooth.

Host interface selection and firmware boot options are selected using the JODY-W3 module configuration pins (CONFIG[2:0]). The configuration settings for the available boot options are shown in [Table 3](#).

Pin name	Pin numbers	Configuration settings		
		Strap value	Wi-Fi	Bluetooth
CONFIG[2:0]	6, 7, 8	000	SDIO	UART
		001	Reserved	Reserved
		010	Reserved	Reserved
		011	PCIe	UART
		100	Reserved	Reserved
		101	Reserved	Reserved
		110	Reserved	Reserved
		111	Reserved	Reserved

Table 3: Firmware boot options of the JODY-W3 module

The M2-JODY-W3 card supports the same boot options as the JODY-W3 module. To set any CONFIG[2:0] configuration pin to logic-low level (“0”), it must be pulled down with a 51 kΩ resistor to GND. JODY-W3 has internal pull-up resistors and as a result, no external pull-up resistors is required to set a configuration pin to logic-high level (“1”).

Figure 2 shows the “011” default configuration used to select the PCIe interface for Wi-Fi and UART interface for Bluetooth.

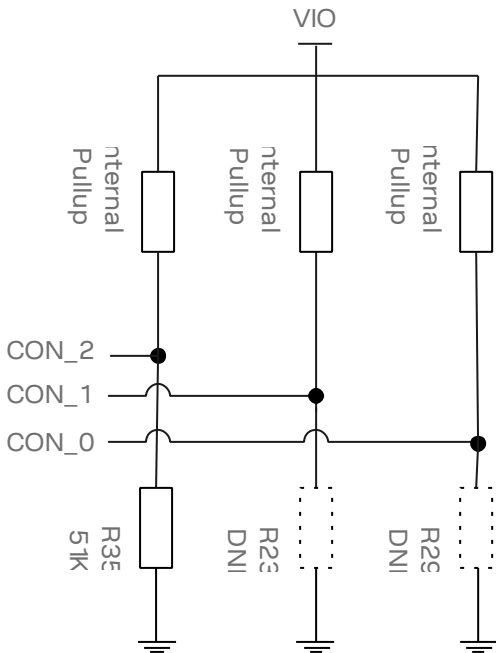


Figure 2: Default configuration of the M2-JODY-W3 boot pins

Figure 3 shows the physical locations of pull-down resistor positions, R23, R29 and R35. Mount resistors R23 and R29 to configure the host interface for Wi-Fi over SDIO and Bluetooth over UART operation.

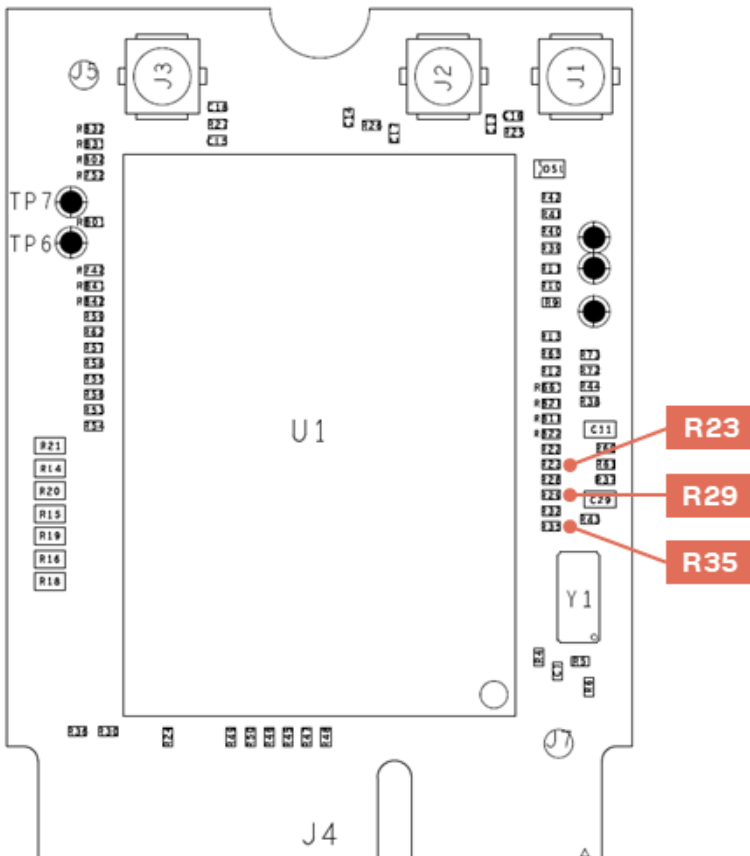


Figure 3: Position of R23, R29 and R35 on M2-JODY-W3 (top side)

2.2 PCIe

The PCI Express interface complies with the PCIe 2.0 standard with 2.5/5 Gbps speeds and allows a host controller to access JODY-W3 Wi-Fi functionality using the PCIe bus protocol. For information about the parameters supported by the PCI Express interface, see the JODY-W3 data sheet [\[1\]](#).

2.3 SDIO

The SDIO device interface is conformant with the industry standard SDIO 3.0 specification (UHS-I up to 104 MB/s) and allows a host controller to access JODY-W3 Wi-Fi functionality using the SDIO bus protocol. The interface supports 4-bit SDIO transfer mode over the full clock range up to 208 MHz.

2.4 UART

JODY-W3 series modules support a high-speed UART interface that is conformant with the industry-standard 16550 specification. For information about the features and baud rates supported in the JODY-W3 series high-speed UART, see the JODY-W3 data sheet [\[1\]](#).

2.5 PCM/I2S

M2-JODY-W3 supports the full functionality of the JODY-W3 series PCM and I2S interfaces for audio. The pins of the PCM and I2S interfaces are shared.

3 Pin definition

The M2-JODY-W3 card module implements the standard pinout of M.2 mechanical Type E sockets as defined by the PCI Express M.2 Specification [4]. In co-operation with NXP, the card fully supports the optional sideband and debug signals as defined by the NXP Wi-Fi/Bluetooth M.2 Key E Pinout Definition [5].

3.1 Pin assignment

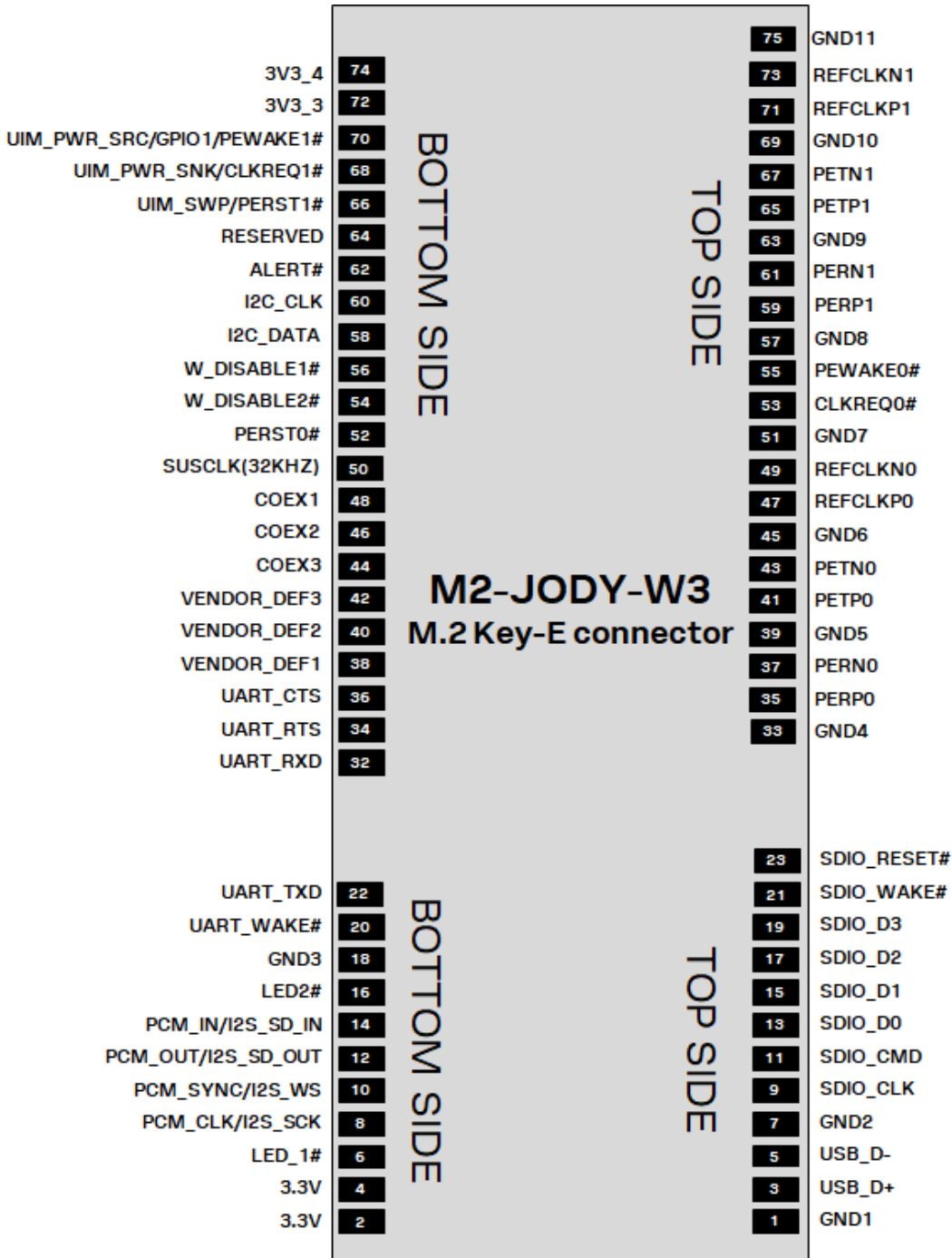


Figure 4: M2-JODY-W3 pin assignment

3.2 Pin description

Table 4 and Table 5 describe the M2-JODY-W3 pins located at the top and bottom side of the M.2 card, respectively. The signal direction of the pins (inputs or outputs) is shown from the perspective of the M2-JODY-W3 card.

Pin no.	Pin name	Pin type ¹	Power domain	Description
1	GND1	GND		Ground
3	USB_D+	NC		USB data + serial data interface. Not connected
5	USB_D-	NC		USB data - serial data interface. Not connected
7	GND2	GND		Ground
9	SDIO_CLK	I	1V8	SDIO Clock
11	SDIO_CMD	I/O	1V8	SDIO Command
13	SDIO_D0	I/O	1V8	SDIO Data 1
15	SDIO_D1	I/O	1V8	SDIO Data 2
17	SDIO_D2	I/O	1V8	SDIO Data 3
19	SDIO_D3	I/O	1V8	SDIO Data 4
21	SDIO_WAKE#	NC	VIO	NXP usage: WLAN_WAKE_HOST . Sideband signal used by the Wi-Fi radio to wake up the platform. Active Low by default. Connect to Host GPIO Open drain. Pullup required on platform
23	SDIO_RESET#	I	VIO	NXP usage: WLAN_INDEPENDENT_RESET . Sideband signal to independently reset the Wi-Fi radio. Active Low by default. Connect to Host GPIO

M.2 Key E connector notch

33	GND4	GND		Ground
35	PERP0	I	1V8	PCIe RX
37	PERN0	I	1V8	PCIe RX
39	GND5	GND		Ground
41	PETP0	O	1V8	PCIe TX
43	PETN0	O	1V8	PCIe TX
45	GND6	GND		Ground
47	REFCLKP0	I	1V8	PCIe Reference Clock
49	REFCLKN0	I	1V8	PCIe Reference Clock
51	GND7	GND		Ground
53	CLKREQ0#	I/O	3V3	PCIe Clock Request
55	PEWAKE0#	I/O	3V3	PCIe PME Wake
57	GND8	GND		Ground
59	PERP1	NC	1V8	PCIe RX. Not connected
61	PERN1	NC	1V8	PCIe RX. Not connected
63	GND9	GND		Ground
65	PETP1	NC	1V8	PCIe TX. Not connected
67	PETN1	NC	1V8	PCIe TX. Not connected
69	GND10	GND		Ground

¹ I/O notations: I=Input, O=Output, I/O=Input or Output, PU=Pull Up, PD=Pull Down, D=Default, PP=Push-Pull, OD=Open Drain, AI/AO=Analog Input/Output, NC=Not Connected

Pin no.	Pin name	Pin type ¹	Power domain	Description
71	REFCLKP1	NC	1V8	PCIe Reference Clock. Not connected
73	REFCLKN1	NC	1V8	PCIe Reference Clock. Not connected
75	GND11	GND		Ground

Table 4: M2-JODY-W3 pinout – top side

Pin no.	Pin name	Pin type ²	Power domain	Description
2	3.3V	P	3V3	Supply voltage pin
4	3.3V	P	3V3	Supply voltage pin
6	LED_1#	NC		Not connected
8	PCM_CLK/I2S_ SCK	I/O	VIO	PCM data clock
10	PCM_SYNC/I2 S_WS	I/O	VIO	PCM frame sync
12	PCM_OUT/I2S_ _SD_OUT	O	VIO	PCM data output
14	PCM_IN/I2S_ S_ D_IN	I	VIO	PCM data input
16	LED2#	NC		Not connected
18	GND3	GND		Ground
20	UART_WAKE#	O	3V3	NXP usage: BT_WAKE_HOST . Sideband signal used by the Bluetooth radio to wake up the platform. Active Low by default. Connect to Host GPIO Open drain. Pullup required on platform. See note ³ for details.
22	UART_TXD	O	VIO	UART transmit. Connected to host platform UART receive (UART_RXD)

M.2 Key E connector notch

32	UART_RXD	I	VIO	UART receive. Connected to host platform UART transmit (UART_TXD)
34	UART_RTS	O	VIO	UART Request-To-Send. Connected to host platform UART Clear-To-Send (UART_CTS)
36	UART_CTS	I	VIO	UART Clear-To-Send. Connected to host platform UART Request-To-Send (UART_RTS)
38	VENDOR_DEF 1	I/O	VIO	NXP usage: JTAG_TDO . Used for debug. Not connected
40	VENDOR_DEF 2	I	VIO	NXP usage: DEV_WLAN_WAKE . Sideband signal used by the platform to wake up the Wi-Fi radio. Active Low. Connect to Host GPIO
42	VENDOR_DEF 3	I	VIO	NXP usage: DEV_BT_WAKE . Sideband signal used by the platform to wake up the Bluetooth radio. Active Low. Connect to Host GPIO
44	COEX3	I/O	VIO	NXP usage: JTAG_TDI Used for debug. Not connected

² I/O notations: I=Input, O=Output, I/O=Input or Output, PU=Pull Up, PD=Pull Down, D=Default, PP=Push-Pull, OD=Open Drain, AI/AO=Analog Input/Output, NC=Not Connected

³ Insertion of a 3V3 CMOS buffer along each one of the sideband signal lines, between the host platform and the M.2 card socket, is recommended. Signals W_DISABLE1# and W_DISABLE2# are outputs from the host platform and inputs to the M.2 card. Therefore, the buffer outputs must be connected to those signals. The UART_WAKE# signal is an output from the M.2 card and input to the host platform, so the buffer input must be connected to that signal.

Pin no.	Pin name	Pin type ²	Power domain	Description
46	COEX2	I/O	VIO	NXP usage: JTAG_TCK . Used for debug. Not connected
48	COEX1	I/O	VIO	NXP usage: JTAG_TMS . Used for debug. Not connected
50	SUSCLK (32KHZ)	NC		Not connected
52	PERST0#	I	3V3	PCIe host indication to reset the device
54	W_DISABLE2#	I	3V3	NXP usage: BT_INDEPENDENT_RESET . Sideband signal to independently reset the Bluetooth radio. Active Low by default. Connected to Host GPIO. See note ³ for details.
56	W_DISABLE1#	I	3V3	NXP usage. PdN . Full Power-down for the Wi-Fi/BT radio: High = normal mode, Low = full power-down mode. Connect to Host GPIO. See note ³ for details.
58	I2C_DATA	NC		I2C data. Not connected
60	I2C_CLK	NC		I2C clock. Not connected
62	ALERT#	NC		Not connected
64	RESERVED	NC		Not connected
66	UIM_SWP/PER ST1#	NC		Not connected
68	UIM_PWR_SN K/CLKREQ1#	NC		Not connected
70	UIM_PWR_SR C/GPIO1/PEW AKE1#	NC		Not connected
72	3V3_3	P	3V3	Supply voltage pin
74	3V3_4	P	3V3	Supply voltage pin

Table 5: M2-JODY-W3 pinout (bottom side)

4 Electrical specifications

Stressing the device above one or more of the [Absolute maximum ratings](#) can cause permanent damage. These are stress ratings only. Operating the module at these or at any conditions other than those specified in the [Operating conditions](#) should be avoided. Exposure to absolute maximum rating conditions for extended periods can affect device reliability.

All given application information is only advisory and does not form part of the specification.

4.1 Absolute maximum ratings

Symbol	Description	Min.	Max.	Units
3V3	Power supply voltage	-0.3	4.0	V
T _{STORAGE}	Storage temperature	-40	+85	°C

Table 6: Absolute maximum ratings

4.2 Maximum ESD ratings

Applicability	Min.	Max.	Units
Human Body Model (HBM), according to ANSI/ESDA/JEDEC JS-001	-1500	+1500	V
Charged Device Model (CDM), according to ANSI/ESDA/JEDEC JS-002	-500	+500	V

Table 17: Maximum ESD ratings

4.3 Operating conditions

Symbol	Parameter	Min.	Typ.	Max.	Units
3V3	Power supply voltage	3.135	3.3	3.465	V
T _A	Ambient operating temperature	-40	-	+85	°C
Ripple Noise	Peak-to-peak voltage ripple on all supply lines.	-	-	10	mV

Table 18: Operating conditions

4.1 Power consumption

Peak current condition	Temperature	Supply current	Units
Active transmission at max. rated output power (WiFi)	Room temperature	2	A
Active transmission at max. rated output power (Bluetooth)	Room temperature	0.2	A
Firmware initialization	Room temperature	1.5	A

Table 19: Peak current consumption

4.2 Digital pad ratings

Symbol	Parameter	VIO	Min.	Max.	Units
V _{IH}	Input high voltage	1.8 V or 3.3 V	0.7*VIO	VIO+0.4	V
V _{IL}	Input low voltage	1.8 V or 3.3 V	-0.4	0.3*VIO	V
V _{HYS}	Input hysteresis	1.8 V or 3.3 V	100	-	mV
V _{OH}	Output high voltage	1.8 V or 3.3V	VIO-0.4	-	V
V _{OL}	Output low voltage	1.8 V or 3.3 V	-	0.4	V

Table 22: DC characteristics VIO

4.3 Radio specifications

4.3.1 Bluetooth

Parameter	Specification
RF Frequency Range	2.4 – 2.5 GHz
Supported Modes	Bluetooth 5.3 Bluetooth Low Energy (LE) - LE long range - Shared RF with BR/EDR - 2 Mbps LE
Modulation	1 Mbit/s: GFSK (BR) 2 Mbit/s: $\pi/4$ DQPSK (EDR) 3 Mbit/s: 8DQPSK (EDR)
Transmit Power	BDR: +10 dBm \pm 2 dB EDR: +7 dBm \pm 2 dB Bluetooth LE: +8 dBm \pm 2 dB
Sensitivity	DH5: -94 dBm (De-sense of 5.5 dB at 2440 MHz, 2 dB at 2480 MHz) 3DH5: -87 dBm (De-sense of 6 dB at 2440 MHz, 2 dB at 2480 MHz) LR8: -106 dBm (De-sense of 11dB at 2440 MHz, 5 dB at 2480 MHz) LR2: -105 dBm (De-sense of 11dB at 2440 MHz, 5 dB at 2480 MHz) LE1M: -101 dBm (De-sense of 10 dB at 2440 MHz, 4 dB at 2480 MHz) LE2M: -98 dBm (De-sense of 5 dB at 2440 MHz, 1 dB at 2480 MHz)

Table 7: Bluetooth radio parameters

4.3.2 Wi-Fi

M2-JODY-W3 cards support dual-band Wi-Fi with 802.11 a/b/g/n/ac/ax operation in the 2.4 GHz and 5 GHz radio bands.

Parameter	Operation mode	Specification
RF Frequency range	802.11b/g/n/ax	2.400 – 2.500 GHz
	802.11a/n/ac/ax	4.900 – 5.925 GHz
Modulation	802.11b	CCK and DSSS
	802.11a/g/n/ac/ax	OFDM
Supported data rates	802.11b	1, 2, 5.5, 11 Mbit/s
	802.11a/g	6, 9, 12, 18, 24, 36, 48, 54 Mbit/s
	802.11n SISO and MIMO	MCS0 – MCS15 and MCS 32 (duplicate 6 Mbps)
	802.11ac SISO and MIMO	MCS0 – MCS9

Parameter	Operation mode	Specification
	802.11ax SISO and MIMO	MCS0 – MCS11
Supported channel bandwidth	802.11ac/ax	20, 40, 80 MHz
Supported guard interval (GI)	802.11n/ac	400, 800 ns
	802.11ax	800, 1600 ns
	802.11ac	Short guard interval supported

Table 8: Wi-Fi radio parameters

Parameter	Operation mode	802.11 EVM limit	Specification (typ. Output power tolerance ± 2 dB)
Maximum transmit power	2.4 GHz	DSSS/CCK	-9.1 dB
		OFDM, BPSK	-8 dB
		OFDM, QPSK	-13 dB
		OFDM, 16-QAM	-19 dB
		OFDM, 64-QAM, 3/4	-25 dB
		OFDM, 64-QAM, 5/6	-27 dB
		OFDM, 256-QAM, 3/4	-30 dB
		OFDM, 256-QAM, 5/6	-32 dB
	5 GHz	OFDM, BPSK	-5 dB
		OFDM, QPSK	-13 dB
		OFDM, 16-QAM	-19 dB
		OFDM, 64-QAM, 3/4	-25 dB
		OFDM, 64-QAM, 5/6	-27 dB
		OFDM, 256-QAM, 3/4	-30 dB
		OFDM, 256-QAM, 5/6	-32 dB
		OFDMA, 1024-QAM, 3/4	-35 dB
		OFDMA, 1024-QAM, 5/6	-35 dB

Table 9: Wi-Fi radio maximum transmit power parameter

Parameter	Band	Operating mode	Data rate	Bandwidth	Specification
Sensitivity	2.4 GHz	802.11b	1 Mbps / 2 Mbps	20 MHz	-97 dBm / -94 dBm
			5.5 Mbps / 11 Mbps		-92 dBm / -89 dBm
		802.11g	6 Mbps / 9 Mbps	20 MHz	-91 dBm / -90 dBm
			12 Mbps / 18 Mbps		-89 dBm / -87 dBm
			24 Mbps / 36 Mbps		-84 dBm / -80 dBm
			48 Mbps / 54 Mbps		-76 dBm / -72 dBm
		802.11n	MCS0 / MCS1	20 MHz	-91 dBm / -88 dBm
			MCS2 / MCS3		-86 dBm / -84 dBm
			MCS4 / MCS5		-80 dBm / -76 dBm
			MCS6 / MCS7		-74 dBm / -73 dBm
			MCS0 / MCS1	40 MHz	-89 dBm / -86 dBm
			MCS2 / MCS3		-84 dBm / -81 dBm
			MCS4 / MCS5		-77 dBm / -73 dBm
			MCS6 / MCS7		-72 dBm / -70 dBm
		802.11ac	MCS0 / MCS1	20 MHz	-91 dBm / -88 dBm
			MCS2 / MCS3		-86 dBm / -83 dBm

Parameter	Band	Operating mode	Data rate	Bandwidth	Specification
			MCS4 / MCS5		-80 dBm / -75 dBm
			MCS6 / MCS7		-74 dBm / -73 dBm
			MCS8		-68 dBm
			MCS0 / MCS1	40 MHz	-88 dBm / -86 dBm
			MCS2 / MCS3		-84 dBm / -81 dBm
			MCS4 / MCS5		-77 dBm / -73 dBm
			MCS6 / MCS7		-72 dBm / -70 dBm
			MCS8 / MCS9		-66 dBm / -64 dBm
		802.11ax	MCS0 / MCS1	20 MHz	-91 dBm / -89 dBm
			MCS2 / MCS3		-87 dBm / -84 dBm
			MCS4 / MCS5		-81 dBm / -77 dBm
			MCS6 / MCS7		-76 dBm / -75 dBm
			MCS8 / MCS9		-70 dBm / -69 dBm
			MCS10 / MCS11		-63 dBm / -62 dBm
			MCS0 / MCS1	40 MHz	-89 dBm / -86 dBm
			MCS2 / MCS3		-85 dBm / -81 dBm
			MCS4 / MCS5		-79 dBm / -75 dBm
			MCS6 / MCS7		-73 dBm / -72 dBm
			MCS8 / MCS9		-68 dBm / -66 dBm
			MCS10 / MCS11		-63 dBm / -62 dBm
	5 GHz	802.11a	6Mbps/9Mbps	20 MHz	-90 dBm / -89 dBm
			12 Mbps/18 Mbps		-88 dBm / -86 dBm
			24 Mbps/36 Mbps		-83 dBm / -80 dBm
			48 Mbps/54 Mbps		-75 dBm / -74 dBm
		802.11n	MCS0 / MCS1	20 MHz	-90 dBm / -88 dBm
			MCS2 / MCS3		-85 dBm / -82 dBm
			MCS4 / MCS5		-79 dBm / -75 dBm
			MCS6 / MCS7		-73 dBm / -72 dBm
			MCS0 / MCS1	40 MHz	-88 dBm / -85 dBm
			MCS2 / MCS3		-83 dBm / -80 dBm
			MCS4 / MCS5		-77 dBm / -72 dBm
			MCS6 / MCS7		-71 dBm / -70 dBm
		802.11ac	MCS0/MCS1	20 MHz	-90 dBm / -88 dBm
			MCS2/MCS3		-85 dBm / -83 dBm
			MCS4/MCS5		-79 dBm / -75 dBm
			MCS6/MCS7		-73 dBm / -72 dBm
			MCS8		-68 dBm
			MCS0/MCS1	40 MHz	-88 dBm / -85 dBm
			MCS2/MCS3		-83 dBm / -80 dBm
			MCS4/MCS5		-76 dBm / -72 dBm
			MCS6/MCS7		-71 dBm / -70 dBm
			MCS8/MCS9		-65 dBm / -64 dBm
			MCS0/MCS1	80 MHz	-85 dBm / -82 dBm
			MCS2/MCS3		-80 dBm / -77 dBm
			MCS4/MCS5		-73 dBm / -69 dBm

Parameter	Band	Operating mode	Data rate	Bandwidth	Specification
			MCS6/MCS7		-68 dBm / -66 dBm
			MCS8/MCS9		-62 dBm / -61 dBm
	802.11ax		MCS0 / MCS1	20 MHz	-90 dBm / -88 dBm
			MCS2 / MCS3		-87 dBm / -83 dBm
			MCS4 / MCS5		-81 dBm / -76 dBm
			MCS6 / MCS7		-75 dBm / -74 dBm
			MCS8 / MCS9		-69 dBm / -68 dBm
			MCS10 / MCS11		-63 dBm / -62 dBm
			MCS0 / MCS1	40 MHz	-88 dBm / -86 dBm
			MCS2 / MCS3		-84 dBm / -81 dBm
			MCS4 / MCS5		-78 dBm / -74 dBm
			MCS6 / MCS7		-73 dBm / -72 dBm
			MCS8 / MCS9		-67 dBm / -66 dBm
			MCS10 / MCS11		-62 dBm / -59 dBm
			MCS0 / MCS1	80 MHz	-85 dBm / -83 dBm
			MCS2 / MCS3		-81 dBm / -77 dBm
			MCS4 / MCS5		-76 dBm / -71 dBm
			MCS6 / MCS7		-70 dBm / -69 dBm
			MCS8 / MCS9		-65 dBm / -63 dBm
			MCS10 / MCS11		-59 dBm / -57 dBm

Table 10: Wi-Fi radio sensitivity

5 Antenna connectors

The M2-JODY-W3 card features three U.FL connectors, with one for each of the three antenna pins:

- Connectors J2 and J3 are connected to JODY-W3 pins 24 and 29 (**ANT0** and **ANT1** respectively) for Wi-Fi operation.
- Connector J1 is connected to JODY-W3 pin 21 (pin name **ANT2**) for Bluetooth.

The location of the U.FL connectors on the M.2 card is shown in [Figure 5](#).

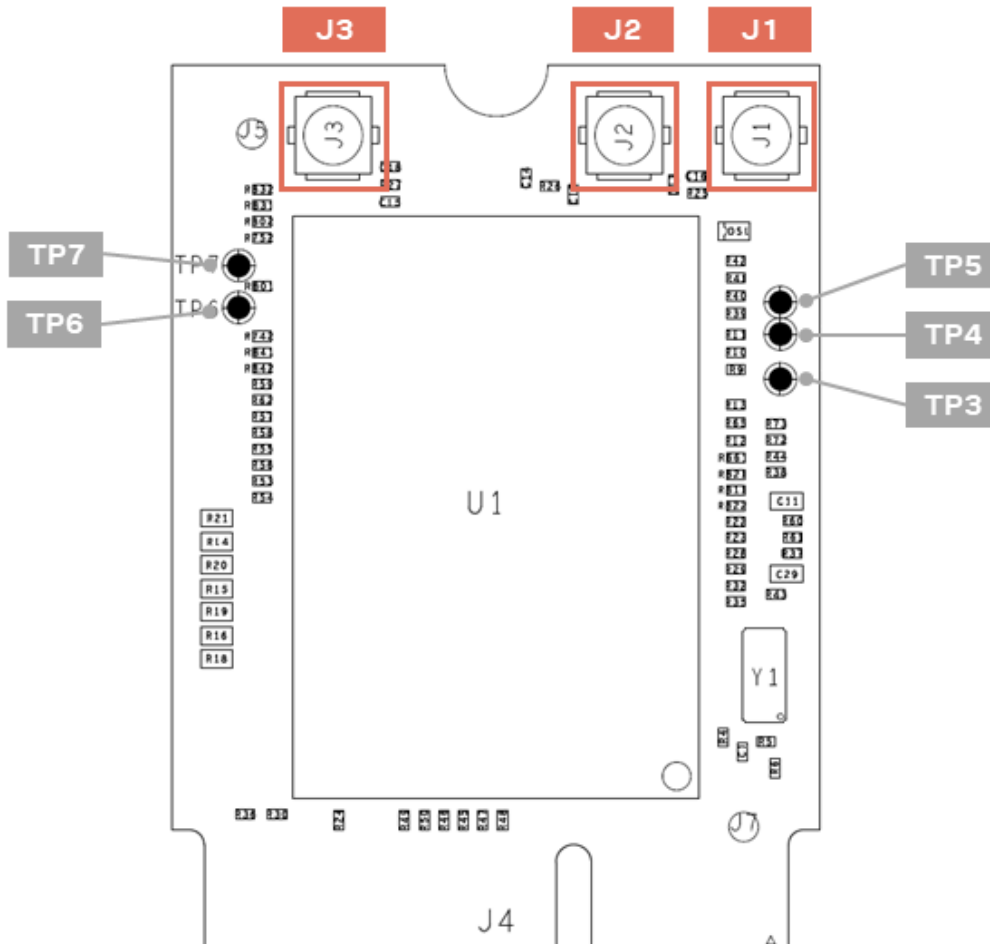


Figure 5: Location of M2-JODY-W3 antenna U.FL connectors

- 🔑 Given the small size and low profile of the U.FL connector, be sure to follow the manufacturer's instructions to avoid any damage when mating and un-mating the connector. See also the U.FL series guideline [\[6\]](#) and U.FL series data sheet [\[7\]](#).

6 Voltages

The M2-JODY-W3 card requires a **3.3 V power supply**. The card takes the 3.3 V supply from the **3.3V** pins on the M.2 connector, while the 1.8 V supply is generated by the on-card DC-DC converter.

The default setting for **VIO** is 1.8 V but can be changed to 3.3 V by moving the 0 Ω resistor in position R1 to R7 (default = DNI), as shown in [Figure 6](#). Note that R1 and R7 share a common pad. Only one of the two resistors R1 and R7 should be present at any time.

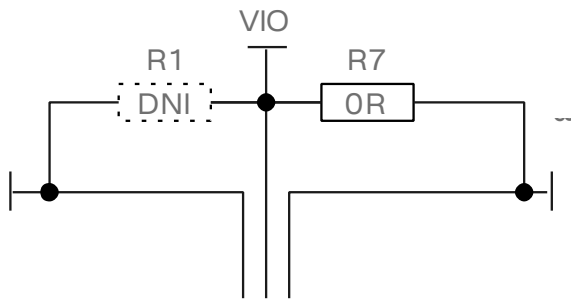


Figure 6: Placement of 0 Ω resistor to change VIO from 1.8 V to 3.3 V

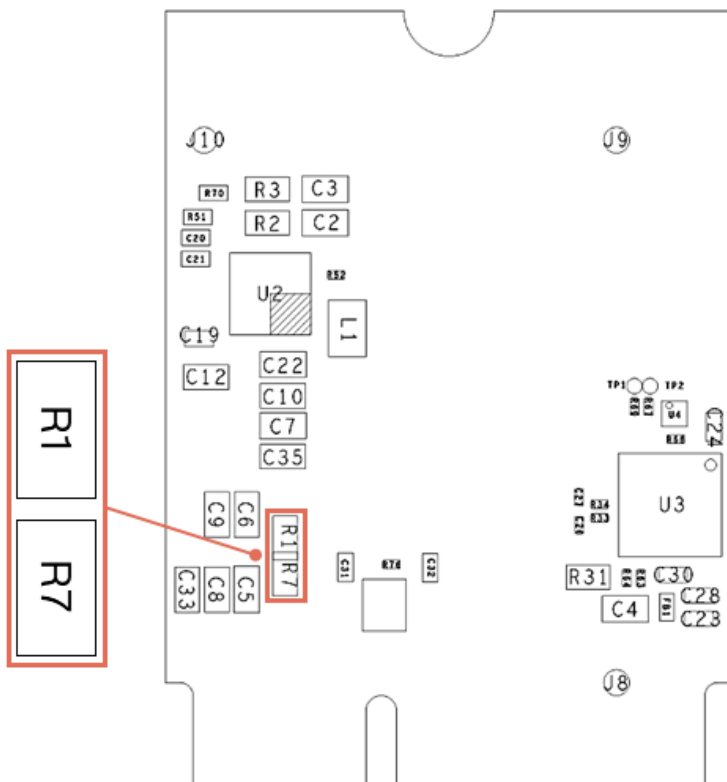


Figure 7: Position of R1 and R7 on M2-JODY-W3 (bottom side)

An on-card level-shifter (as shown in [Figure 8](#)) translates M.2 signals **W_DISABLE1#**, **W_DISABLE2#** and **UART_WAKE#** from 3.3 V to VIO.

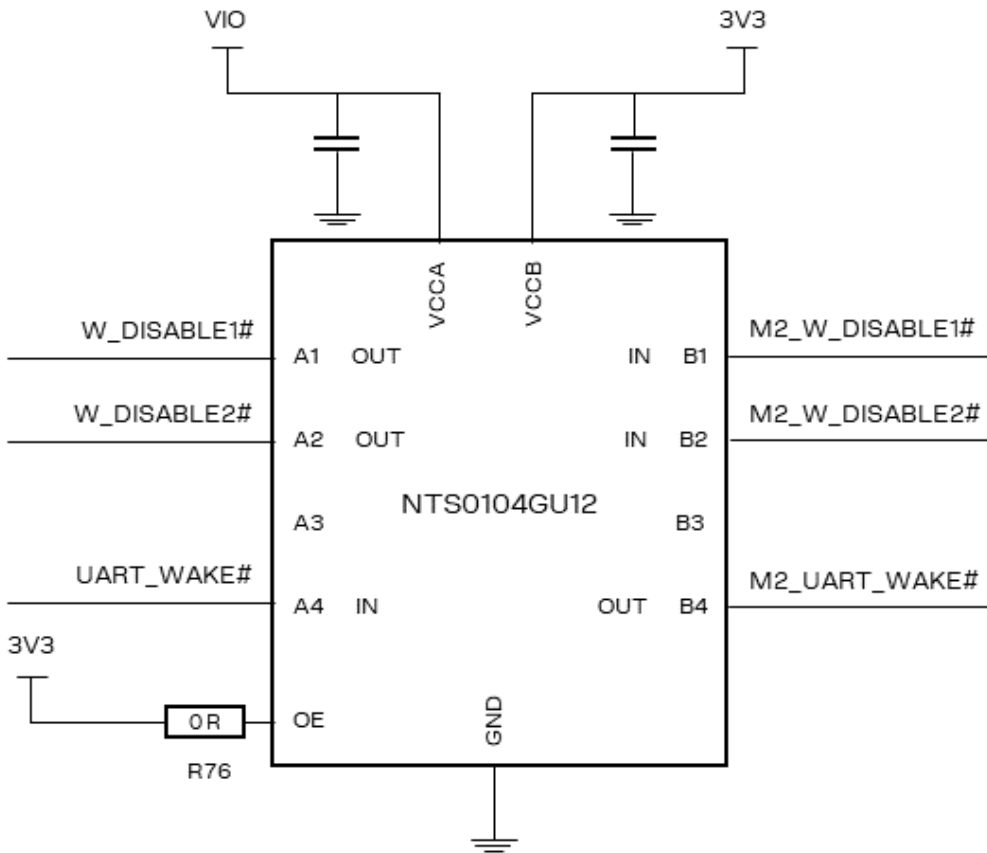


Figure 8: VIO-to-3.3 V level shifter showing VCCA and VCCB

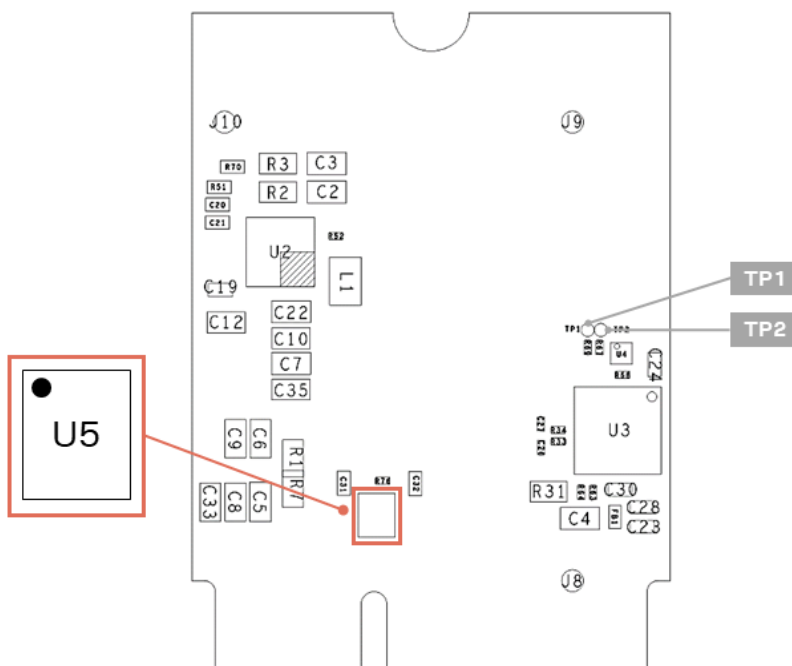


Figure 9: Position of VIO-to-3.3 V level shifter on M2-JODY-W3 (bottom side)

7 Test points

On-card test points TP1, TP2, and TP3, allow NXP sideband signals to be probed, as shown on [Table 11](#). For information that describes how these signals are used in NXP platforms, see the tables shown in the [pin description](#) and the NXP M.2 Key E Pinout Definition [\[5\]](#). The position of the test points on the card is shown in [Figure 5](#) and [Figure 9](#).

Test point #	M.2 pin#	NXP usage
TP1	21	WLAN_WAKE_HOST
TP2	20	BT_WAKE_HOST
TP3	23	WLAN_INDEPENDENT_RESET

Table 11: M.2 pin number and functionality of the M2-JODY-W3 cards test points

8 Mechanical specification

8.1 Physical dimensions

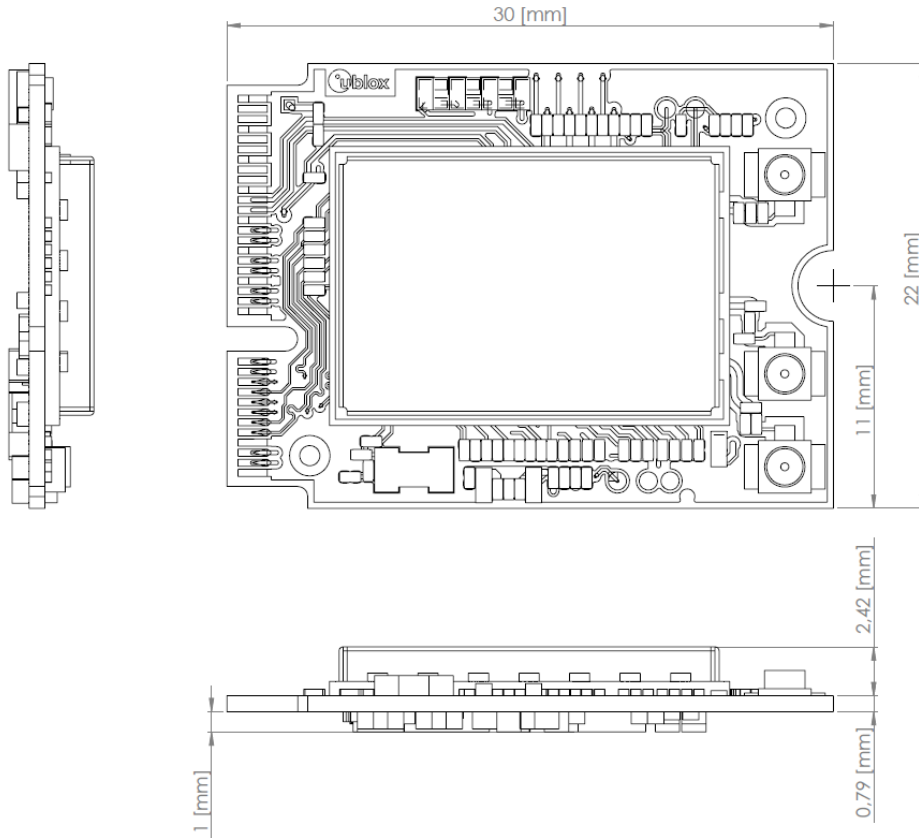


Figure 10: Physical dimensions of the M2-JODY-W3 card

9 Software

M2-JODY-W3 cards are based on the NXP 88W9098 chipset and the drivers and firmware required to operate JODY-W2 series modules are developed by NXP. A firmware binary is downloaded by the host operating system driver at start-up.

The following software options are available for the card:

- Open-source Linux/Android driver (`mxm_mwifiefx`) for mainstream use is available free of charge and already integrated into the Linux BSP for NXP i.MX application processors
- Proprietary Linux/Android drivers providing different feature packs. The drivers are distributed by u-blox to customers that have signed a limited use license agreement (LULA-M) [\[8\]](#) with u-blox. The driver package can be signed electronically and is also available directly from NXP. Contact your local support team for further information.

M2-JODY-W3 software packages typically include:

- Source code that includes dedicated Linux kernel drivers for Wi-Fi and Bluetooth
- Dedicated firmware images that are uploaded to the device during initialization
- Various configuration tools
- Laboratory and manufacturing tools for RF testing.

10 Approvals

M2-JODY-W3 cards are designed to comply with the regulatory demands of the Federal Communications Commission (FCC), Industry Canada (IC), UK Conformity Assessed (UKCA), and European standards for CE marking.

For detailed information about regulatory compliance requirements of end products that use M2-JODY-W3 modules, see the JODY-W3 system integration manual [2].

10.1 Configuration of Wi-Fi transmit power limits

JODY-W3 modules contain calibration data for the output power limits in OTP. This calibration data enables the module to achieve maximum transmit power levels that still pass the required EVM and spectral mask limits. The maximum transmit-power levels that can be used in an end-product also depend on:

- Regulatory domain limits
- Restricted band of usage
- Gain of the antenna and antenna trace design

A configuration file on the host system and the utility `m1anut1` is used to reduce the transmit power levels as required.



Transmit power limit configuration files are provided by u-blox for the certified regulatory domains which addresses the reference designs and the approved antennas.

- ⚠ The correct transmit power limits must be applied to the module after startup of the host system or change of the regulatory domain during runtime.

10.1.1 Wi-Fi power table

The Wi-Fi power table defines the transmit power levels for the Wi-Fi radio. The power levels are based on regulatory compliance, IEEE 802.11 requirements, and product design constraints. The TX power table can be adjusted to achieve the highest transmit power level for each Wi-Fi channel, bandwidth, and modulation within the constraints defined by the certification.

The Wi-Fi power table is defined in a transmit power configuration file, `txpwrlimit_cfg_XX.conf`, where “XX” stands for the alpha2 country code. It allows developers to fine tune specific transmit power levels for the Wi-Fi radio, including:

- Band (2G and 5G)
- Channel
- Modulation rate (CCK and OFDM)
- Bandwidth (20, 40, and 80 MHz)



Transmit power configuration files for each completed certification are included in the Yocto meta-layer. Transmit power config files are named as per the name of the certification region, for example `txpwrlimit_cfg_ETSI.conf`. The configuration files are used by the recipe in the meta-layer to derive binary files, which can be automatically loaded by the driver, for each country in the certification region, such as, Germany (DE), France (FR), and so on.


For the exact power limits used for the various certifications, see the [Appendix: Wi-Fi Tx output power limits](#). The JODY-W3 system integration manual [2] contains details about configuring Wi-Fi Tx output power limits along with examples.

11 Product handling


11.1 Packaging

Packaged and shipped in trays containing multiple M.2 cards.

11.2 Shipment, storage, and handling

 For more information regarding shipment, storage, and handling see the Packaging information reference guide [\[3\]](#).

11.2.1 ESD handling precautions

 M2-JODY-W3 cards are Electrostatic Sensitive Devices (ESD) that demand the observance of special handling precautions against electrostatic damage. Failure to observe the precautions can result in severe damage to the card.

M2-JODY-W3 cards are manufactured through a highly automated process, which complies with IEC61340-5-1 (STM5.2-1999 Class M1 devices) standard. In compliance with the following European regulations, proper measures must be taken to protect M2-JODY-W3 from ESD events on any pin that might be exposed to the end user:

- ESD testing standard CENELEC EN 61000-4-2
- Radio equipment standard ETSI EN 301 489-1

The minimum requirements that must be met to satisfy European regulations are described in [Table 12](#).

Application	Category	Immunity level
All exposed surfaces of the radio equipment and ancillary equipment in a representative configuration of the end product.	Contact discharge	4 kV
	Air discharge	8 kV

Table 12: ESD immunity ratings based on EN 61000-4-2

Compliance with standard protection level specified in EN 61000-4-2 is achieved by including proper ESD protection in the production line and close to all areas that are accessible to the end user.

12 Labeling and ordering

The labels applied to M2-JODY-W3 cards include important product information.

Figure 11 shows the label applied to M2-JODY-W3 cards. Each of the given label references are described in Table 13.

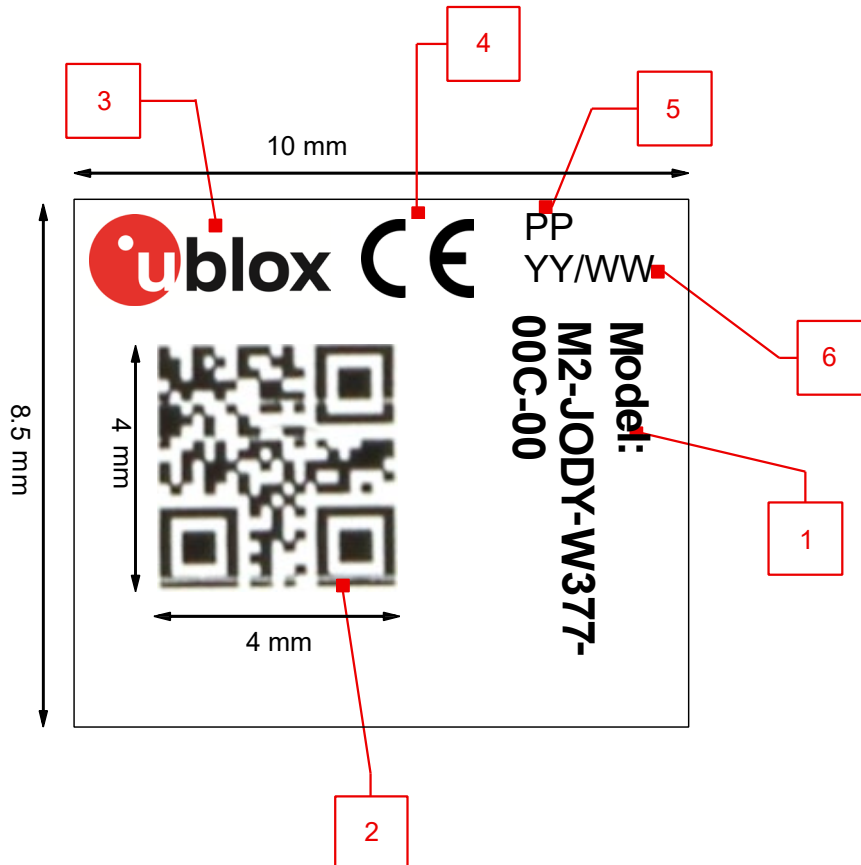


Figure 11. Product label format with dimensions


Reference	Description
1	Text in bold font: “Model:” type number with the product version
2	DataMatrix (product identifier, serial number, datacode) <ul style="list-style-type: none"> Product identifier: 3 digits defined by EMS Serial number Datacode: 4 digits
3	Company logo and trademark
4	Placeholder for CE marking (when certified)
5	Panel position number
6	Production date YY/WW (year/week)

Table 13. M2-JODY-W3 card label description

12.1 Ordering codes

Ordering code	Product name	Product
M2-JODY-W377-00C	M2-JODY-W377	M.2 key E card (2230) with three antenna U.FL connectors and concurrent dual-band 2x2 2.4 GHz and 5 GHz 802.11ax, Bluetooth/Bluetooth LE 5.3. Configured for PCIE/UART. Standard grade module with NXP chipset 88W9098 and operational temperature -40 °C to +85 °C. Packaged in tray containing multiple M.2 cards.
M2-JODY-W377-01C	M2-JODY-W377	M.2 key E card (2230) with three antenna U.FL connectors and concurrent dual-band 2x2 2.4 GHz and 5 GHz 802.11ax, Bluetooth/Bluetooth LE 5.3. Configured for SDIO/UART. Standard grade module with NXP chipset 88W9098 and operational temperature -40 °C to +85 °C. Packaged in tray containing multiple M.2 cards.

Table 14: Product ordering codes

 Product changes affecting form, fit, or function are documented by u-blox. Visit our website for a list of Product Change Notifications (PCNs).

Appendix

A Wi-Fi Tx output power limits

A.1. FCC/ISED regulatory domain

A.1.1. Wi-Fi Output power for 2.4 GHz band

Channel	Modulation	Channel bandwidth	Data rates	Maximum power setting
1	CCK and DSSS	20 MHz	1, 2, 5.5, 11 Mbps	19 dBm
2	CCK and DSSS	20 MHz	1, 2, 5.5, 11 Mbps	20 dBm
3 - 10	CCK and DSSS	20 MHz	1, 2, 5.5, 11 Mbps	21 dBm
11	CCK and DSSS	20 MHz	1, 2, 5.5, 11 Mbps	19 dBm
1	OFDM	20 MHz	6, 9, 12, 18, 24, 36, 48, 54 Mbps	14 dBm
2	OFDM	20 MHz	6, 9, 12, 18, 24, 36, 48, 54 Mbps	15 dBm
3	OFDM	20 MHz	6, 9, 12, 18, 24, 36, 48, 54 Mbps	16 dBm
4 - 9	OFDM	20 MHz	6, 9, 12, 18, 24, 36, 48, 54 Mbps	17 dBm
10	OFDM	20 MHz	6, 9, 12, 18, 24, 36, 48, 54 Mbps	15 dBm
11	OFDM	20 MHz	6, 9, 12, 18, 24, 36, 48, 54 Mbps	13 dBm
1	OFDM	20 MHz	HT20 MCS0-MCS7	14 dBm
2	OFDM	20 MHz	HT20 MCS0-MCS7	15 dBm
3	OFDM	20 MHz	HT20 MCS0-MCS7	16 dBm
4 - 8	OFDM	20 MHz	HT20 MCS0-MCS7	17 dBm
9	OFDM	20 MHz	HT20 MCS0-MCS7	16 dBm
10	OFDM	20 MHz	HT20 MCS0-MCS7	14 dBm
11	OFDM	20 MHz	HT20 MCS0-MCS7	13 dBm
3 - 8	OFDM	40 MHz	HT40 MCS0-MCS7	13 dBm
9	OFDM	40 MHz	HT40 MCS0-MCS7	12 dBm
1	OFDM	20 MHz	VHT20 MCS0-MCS8	13 dBm
2 - 3	OFDM	20 MHz	VHT20 MCS0-MCS8	15 dBm
4	OFDM	20 MHz	VHT20 MCS0-MCS8	16 dBm
5 - 8	OFDM	20 MHz	VHT20 MCS0-MCS8	17 dBm
9	OFDM	20 MHz	VHT20 MCS0-MCS8	16 dBm
10	OFDM	20 MHz	VHT20 MCS0-MCS8	14 dBm
11	OFDM	20 MHz	VHT20 MCS0-MCS8	12 dBm
3 - 6	OFDM	40 MHz	VHT40 MCS0-MCS9	13 dBm
7 - 9	OFDM	40 MHz	VHT40 MCS0-MCS9	12 dBm

Table 15: FCC Wi-Fi power table for operation in the 2.4 GHz band in SISO mode

Channel	Modulation	Channel bandwidth	Data rates	Maximum power setting
1	OFDM	20 MHz	HT20 MCS0-MCS7	13 dBm
2	OFDM	20 MHz	HT20 MCS0-MCS7	14 dBm
3 - 9	OFDM	20 MHz	HT20 MCS0-MCS7	15 dBm
10	OFDM	20 MHz	HT20 MCS0-MCS7	13 dBm
11	OFDM	20 MHz	HT20 MCS0-MCS7	12 dBm
3 - 8	OFDM	40 MHz	HT40 MCS0-MCS7	12 dBm
9	OFDM	40 MHz	HT40 MCS0-MCS7	11 dBm
1	OFDM	20 MHz	HE20 MCS0-MCS11	12 dBm
2	OFDM	20 MHz	HE20 MCS0-MCS11	13 dBm
3	OFDM	20 MHz	HE20 MCS0-MCS11	14 dBm
4	OFDM	20 MHz	HE20 MCS0-MCS11	15 dBm
5 - 8	OFDM	20 MHz	HE20 MCS0-MCS11	16 dBm
9	OFDM	20 MHz	HE20 MCS0-MCS11	14 dBm
10	OFDM	20 MHz	HE20 MCS0-MCS11	13 dBm
11	OFDM	20 MHz	HE20 MCS0-MCS11	11 dBm
3 - 6	OFDM	40 MHz	HE40 MCS0-MCS11	12 dBm
7 - 9	OFDM	40 MHz	HE40 MCS0-MCS11	11 dBm

Table 16: FCC Wi-Fi power table for operation in the 2.4 GHz band in MIMO mode

A.1.2. Wi-Fi output power for 5 GHz band

Channel	Modulation	Channel bandwidth	Data rates	Maximum power setting
36	OFDM	20 MHz	6, 9, 12, 18, 24, 36, 48, 54 Mbps	16 dBm
40 - 48	OFDM	20 MHz	6, 9, 12, 18, 24, 36, 48, 54 Mbps	17 dBm
52- 60	OFDM	20 MHz	6, 9, 12, 18, 24, 36, 48, 54 Mbps	18 dBm
64	OFDM	20 MHz	6, 9, 12, 18, 24, 36, 48, 54 Mbps	16 dBm
36	OFDM	20 MHz	HT20 MCS0-MCS7	14 dBm
40 - 60	OFDM	20 MHz	HT20 MCS0-MCS7	17 dBm
64	OFDM	20 MHz	HT20 MCS0-MCS7	14 dBm
36	OFDM	20 MHz	VHT20 MCS0-MCS8	14 dBm
40 - 60	OFDM	20 MHz	VHT20 MCS0-MCS8	17 dBm
64	OFDM	20 MHz	VHT20 MCS0-MCS8	14 dBm
36	OFDM	20 MHz	HE20 MCS0-MCS11	14 dBm
40 - 60	OFDM	20 MHz	HE20 MCS0-MCS11	15 dBm
64	OFDM	20 MHz	HE20 MCS0-MCS11	14 dBm
38	OFDM	40 MHz	HT40 MCS0-MCS7	13 dBm
46 - 54	OFDM	40 MHz	HT40 MCS0-MCS7	16 dBm
62	OFDM	40 MHz	HT40 MCS0-MCS7	13 dBm
38	OFDM	40 MHz	VHT40 MCS0-MCS9	13 dBm
46 - 54	OFDM	40 MHz	VHT40 MCS0-MCS9	16 dBm
62	OFDM	40 MHz	VHT40 MCS0-MCS9	13 dBm
38	OFDM	40 MHz	HE40 MCS0-MCS11	13 dBm
46 - 54	OFDM	40 MHz	HE40 MCS0-MCS11	15 dBm
62	OFDM	40 MHz	HE40 MCS0-MCS11	13 dBm
42, 58	OFDM	80 MHz	VHT80 MCS0-MCS9	12 dBm
42, 58	OFDM	80 MHz	HE80 MCS0-MCS11	12 dBm

Table 17: FCC Wi-Fi power table for operation in the 5 GHz U-NII-1 and U-NII-2A bands in SISO mode

Channel	Modulation	Channel bandwidth	Data rates	Maximum power setting
36	OFDM	20 MHz	HT20 MCS0-MCS7	14 dBm
40 - 48	OFDM	20 MHz	HT20 MCS0-MCS7	15 dBm
52 - 60	OFDM	20 MHz	HT20 MCS0-MCS7	17 dBm
64	OFDM	20 MHz	HT20 MCS0-MCS7	14 dBm
36	OFDM	20 MHz	VHT20 MCS0-MCS8	14 dBm
40 - 48	OFDM	20 MHz	VHT20 MCS0-MCS8	15 dBm
52 - 60	OFDM	20 MHz	VHT20 MCS0-MCS8	17 dBm
64	OFDM	20 MHz	VHT20 MCS0-MCS8	14 dBm
36 - 48	OFDM	20 MHz	HE20 MCS0-MCS11	14 dBm
52 - 60	OFDM	20 MHz	HE20 MCS0-MCS11	15 dBm
64	OFDM	20 MHz	HE20 MCS0-MCS11	14 dBm
38	OFDM	40 MHz	HT40 MCS0-MCS7	12 dBm
46	OFDM	40 MHz	HT40 MCS0-MCS7	15 dBm
54	OFDM	40 MHz	HT40 MCS0-MCS7	16 dBm
62	OFDM	40 MHz	HT40 MCS0-MCS7	12 dBm
38	OFDM	40 MHz	VHT40 MCS0-MCS9	12 dBm
46	OFDM	40 MHz	VHT40 MCS0-MCS9	15 dBm
54	OFDM	40 MHz	VHT40 MCS0-MCS9	16 dBm
62	OFDM	40 MHz	VHT40 MCS0-MCS9	12 dBm
38	OFDM	40 MHz	HE40 MCS0-MCS11	12 dBm
46	OFDM	40 MHz	HE40 MCS0-MCS11	14 dBm
54	OFDM	40 MHz	HE40 MCS0-MCS11	15 dBm
62	OFDM	40 MHz	HE40 MCS0-MCS11	12 dBm
42, 58	OFDM	80 MHz	VHT80 MCS0-MCS9	11 dBm
42, 58	OFDM	80 MHz	HE80 MCS0-MCS11	11 dBm

Table 18: FCC Wi-Fi power table for operation in the 5 GHz U-NII-1 and U-NII-2A bands in MIMO mode

Channel	Modulation	Channel bandwidth	Data rates	Maximum power setting
100	OFDM	20 MHz	6, 9, 12, 18, 24, 36, 48, 54 Mbps	15 dBm
104 - 136	OFDM	20 MHz	6, 9, 12, 18, 24, 36, 48, 54 Mbps	18 dBm
140	OFDM	20 MHz	6, 9, 12, 18, 24, 36, 48, 54 Mbps	15 dBm
100	OFDM	20 MHz	HT20 MCS0-MCS7	15 dBm
104 - 136	OFDM	20 MHz	HT20 MCS0-MCS7	17 dBm
140	OFDM	20 MHz	HT20 MCS0-MCS7	14 dBm
100	OFDM	20 MHz	VHT20 MCS0-MCS8	15 dBm
104 - 136	OFDM	20 MHz	VHT20 MCS0-MCS8	17 dBm
140	OFDM	20 MHz	VHT20 MCS0-MCS8	14 dBm
100	OFDM	20 MHz	HE20 MCS0-MCS11	14 dBm
104 - 136	OFDM	20 MHz	HE20 MCS0-MCS11	15 dBm
140	OFDM	20 MHz	HE20 MCS0-MCS11	14 dBm
102	OFDM	40 MHz	HT40 MCS0-MCS7	12 dBm
110	OFDM	40 MHz	HT40 MCS0-MCS7	16 dBm
134	OFDM	40 MHz	HT40 MCS0-MCS7	15 dBm
142	OFDM	40 MHz	HT40 MCS0-MCS7	14 dBm
102	OFDM	40 MHz	VHT40 MCS0-MCS9	12 dBm
110	OFDM	40 MHz	VHT40 MCS0-MCS9	16 dBm
134	OFDM	40 MHz	VHT40 MCS0-MCS9	14 dBm
102	OFDM	40 MHz	HE40 MCS0-MCS11	12 dBm
110	OFDM	40 MHz	HE40 MCS0-MCS11	15 dBm
134	OFDM	40 MHz	HE40 MCS0-MCS11	15 dBm
142	OFDM	40 MHz	HE40 MCS0-MCS11	13 dBm
106	OFDM	80 MHz	VHT80 MCS0-MCS9	12 dBm
138	OFDM	80 MHz	VHT80 MCS0-MCS9	15 dBm
106	OFDM	80 MHz	HE80 MCS0-MCS11	12 dBm
138	OFDM	80 MHz	HE80 MCS0-MCS11	14 dBm

Table 19: FCC Wi-Fi power table for operation in the 5 GHz U-NII-2e band in SISO mode

Channel	Modulation	Channel bandwidth	Data rates	Maximum power setting
100	OFDM	20 MHz	HT20 MCS0-MCS7	14 dBm
104 - 136	OFDM	20 MHz	HT20 MCS0-MCS7	17 dBm
140	OFDM	20 MHz	HT20 MCS0-MCS7	14 dBm
100	OFDM	20 MHz	VHT20 MCS0-MCS8	14 dBm
104 - 136	OFDM	20 MHz	VHT20 MCS0-MCS8	17 dBm
140	OFDM	20 MHz	VHT20 MCS0-MCS8	14 dBm
100	OFDM	20 MHz	HE20 MCS0-MCS11	14 dBm
104 - 136	OFDM	20 MHz	HE20 MCS0-MCS11	15 dBm
140	OFDM	20 MHz	HE20 MCS0-MCS11	14 dBm
102	OFDM	40 MHz	HT40 MCS0-MCS7	11 dBm
110	OFDM	40 MHz	HT40 MCS0-MCS7	16 dBm
134, 142	OFDM	40 MHz	HT40 MCS0-MCS7	15 dBm
102	OFDM	40 MHz	VHT40 MCS0-MCS9	11 dBm
110	OFDM	40 MHz	VHT40 MCS0-MCS9	16 dBm
134	OFDM	40 MHz	VHT40 MCS0-MCS9	15 dBm
142	OFDM	40 MHz	VHT40 MCS0-MCS9	16 dBm
102	OFDM	40 MHz	HE40 MCS0-MCS11	11 dBm
110, 134, 142	OFDM	40 MHz	HE40 MCS0-MCS11	15 dBm
106	OFDM	80 MHz	VHT80 MCS0-MCS9	11 dBm
138	OFDM	80 MHz	VHT80 MCS0-MCS9	16 dBm
106	OFDM	80 MHz	HE80 MCS0-MCS11	11 dBm
138	OFDM	80 MHz	HE80 MCS0-MCS11	15 dBm

Table 20: FCC Wi-Fi power table for operation in the 5 GHz U-NII-2e band in MIMO mode

Channel	Modulation	Channel bandwidth	Data rates	Maximum power setting
144 - 165	OFDM	20 MHz	6, 9, 12, 18, 24, 36, 48, 54 Mbps	16 dBm
144, 149	OFDM	20 MHz	HT20 MCS0-MCS7	16 dBm
153 - 165	OFDM	20 MHz	HT20 MCS0-MCS7	15 dBm
140	OFDM	20 MHz	VHT20 MCS0-MCS8	14 dBm
144 - 165	OFDM	20 MHz	VHT20 MCS0-MCS8	15 dBm
144 - 165	OFDM	20 MHz	HE20 MCS0-MCS11	14 dBm
151, 159	OFDM	40 MHz	HT40 MCS0-MCS7	14 dBm
151, 159	OFDM	40 MHz	VHT40 MCS0-MCS9	14 dBm
151	OFDM	40 MHz	HE40 MCS0-MCS11	13 dBm
159	OFDM	40 MHz	HE40 MCS0-MCS11	12 dBm
155	OFDM	80 MHz	VHT80 MCS0-MCS9	15 dBm
155	OFDM	80 MHz	HE80 MCS0-MCS11	15 dBm

Table 21: FCC Wi-Fi power table for operation in the 5 GHz U-NII-3 band in SISO mode

Channel	Modulation	Channel bandwidth	Data rates	Maximum power setting
144 - 153	OFDM	20 MHz	HT20 MCS0-MCS7	17 dBm
157 - 165	OFDM	20 MHz	HT20 MCS0-MCS7	15 dBm
144 - 153	OFDM	20 MHz	VHT20 MCS0-MCS8	17 dBm
157 - 165	OFDM	20 MHz	VHT20 MCS0-MCS8	15 dBm
144 - 153	OFDM	20 MHz	HE20 MCS0-MCS11	15 dBm
157 - 165	OFDM	20 MHz	HE20 MCS0-MCS11	13 dBm
151	OFDM	40 MHz	HT40 MCS0-MCS7	15 dBm
159	OFDM	40 MHz	HT40 MCS0-MCS7	14 dBm
151, 159	OFDM	40 MHz	VHT40 MCS0-MCS9	16 dBm
151	OFDM	40 MHz	HE40 MCS0-MCS11	15 dBm
159	OFDM	40 MHz	HE40 MCS0-MCS11	13 dBm
155	OFDM	80 MHz	VHT80 MCS0-MCS9	15 dBm
155	OFDM	80 MHz	HE80 MCS0-MCS11	13 dBm

Table 22: FCC Wi-Fi power table for operation in the 5 GHz U-NII-3 band in MIMO mode


B Glossary

Abbreviation	Definition
BLE	Bluetooth Low Energy
BSP	Board Support Package
BT	Bluetooth
DNI	Do Not Insert
I2S	Inter-IC-Sound
IC	Integrated Circuit
MIMO	Multiple Input, Multiple Output
PCIe	Peripheral Component Interconnect Express
PCM	Pulse Code Modulation
SDIO	Secure Digital Input Output
SISO	Single Input, Single Output
TBD	To be defined / determined
UART	Universal Asynchronous Receiver-Transmitter
USB	Universal Serial Bus
VIO	Input /Output Voltage
U.FL	Low-profile SMT coaxial connector

Table 23: Explanation of the abbreviations and terms used

Related documentation

- [1] JODY-W3 series data sheet, UBX-19010615
- [2] JODY-W3 system integration manual, UBX-19011209
- [3] Packaging information reference guide, [UBX-14001652](#)
- [4] PCI Express M.2 Specification Revision 4.0, Version 1.0, November 5, 2020
- [5] Wi-Fi/Bluetooth M.2 Key E Pinout Definition – NXP Application Note AN13049, Rev.1, November 12, 2020
- [6] Hirose Electric Co. LTD - U.FL Series Catalog, August, 2021
- [7] Hirose Electric Co. LTD - U.FL Series Specification Sheet, June 19, 2020
- [8] u-blox Limited Use License Agreement (LULA-M)

 For product change notifications and regular updates of u-blox documentation, register on our website, www.u-blox.com.

Revision history

Revision	Date	Name	Comments
R01	26-Feb-2021	gima	Initial release
R02	19-Apr-2021	gima	Updated pinout description table
R03	22-Dec-2023	gmet	Updated figures and tables with latest product information. Added Software , Approvals , Product handling , and Labeling and ordering chapters.
R04	27-Dec-2022	gmet	Added Electrical Specifications . Updated Software , ESD handling and Approvals . Added Wi-Fi TX output power limits table in Appendix A
R05	03-May-2023	gmet	Updated Electrical Specifications
R06	08-Sep-2023	gmet	Extended document scope to include M2-JODY-W377-01C-00 in Document information . Updated Approvals , Ordering codes and Pin description .
R07	27-Mar-2024	gmet	Corrected table data for REFCLKP0 and REFCLKN0 in Pin description .

Contact

u-blox AG

Address: Zürcherstrasse 68
8800 Thalwil
Switzerland

For further support and contact information, visit us at www.u-blox.com/support.