



Product summary

C101-D9S application board

Easy evaluation of u-blox NEO-D9S L-band correction data receiver

Highlights

- Application board for NEO-D9S
- Flexible connectivity options, including USB and UART
- Arduino Mega shield connections for host expansion



Product description

The C101-D9S application board allows easy evaluation of NEO-D9S, the u-blox L-band GNSS correction data receiver module.

The NEO-D9S module is an L-band satellite data receiver for GNSS correction service broadcasts which can be configured for use with a variety of correction services.

NEO-D9S decodes the satellite transmission, which can be decrypted and converted to corrections on the host processor, enabling a high precision GNSS receiver to reach accuracies down to centimeter level.

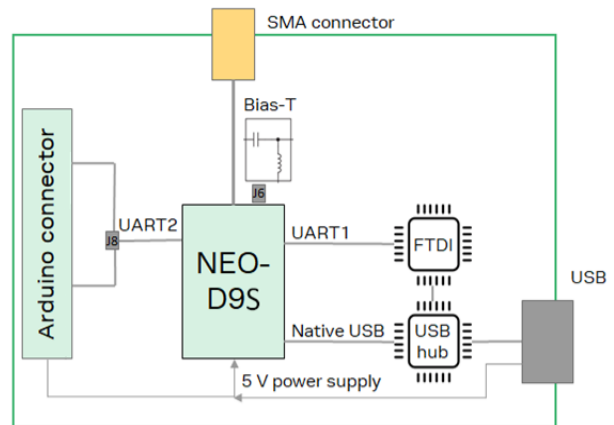
The C101-D9S application board has a built-in USB interface for both power supply and NEO-D9S module data transfer.

The u-center evaluation software provides a powerful platform for evaluating u-blox GNSS and L-band data receivers.

Kit includes

C101-D9S	Application board with NEO-D9S
	Active L-band antenna
	Antenna ground plane
	USB cable

Block diagram



Interfaces and electrical data

USB	Micro-USB port for GNSS data and power supply
Ext. Comm.	Connection pins for UART communication, Arduino interfacing
Antenna	SMA connector for active L-band antenna
Power supply	USB connection
IO voltage	3.3 V
Protocols	UBX binary

Product variants

All variants have the same application board and software.

C101-D9S-0	u-blox C101-D9S application board, for professional grade NEO-D9S evaluation
------------	--

Legal Notice:

u-blox reserves all rights to this document and the information contained herein. Products, names, logos and designs described herein may in whole or in part be subject to intellectual property rights. Reproduction, use, modification or disclosure to third parties of this document or any part thereof without the express permission of u-blox is strictly prohibited.

The information contained herein is provided "as is". No warranty of any kind, either express or implied, is made in relation to the accuracy, reliability, fitness for a particular purpose or content of this document. This document may be revised by u-blox at any time. For most recent documents, please visit www.u-blox.com.

Copyright © 2021, u-blox AG

Further information

For contact information, see www.u-blox.com/contact-us.

For more product details and ordering information, see the product data sheet.