



Product summary

C100-F9K application board

Easy evaluation of u-blox ZED-F9K with multi-band RTK

Highlights

- Application board for ZED-F9K
- User-configurable CAN-bus interface covering many implementations
- Robust housing suitable for in-vehicle use and installation



Product description

The C100-F9K application board allows Automotive OEMs and Tier1 suppliers to evaluate the ZED-F9K, the u-blox F9 high precision positioning module with automotive dead reckoning (ADR) technology, in many vehicles on the market.

The ZED-F9K module includes GNSS multi-band GNSS with built-in RTK and ADR technologies to provide decimeter-level accuracy. The C100-F9K application board integrates a microcontroller to directly interface to a vehicle's CAN-bus using a configuration file. When the CAN-bus cannot be directly supported due to the very diverse nature of the specification, digital inputs are available for speed and direction inputs.

The u-center evaluation software provides a powerful platform for evaluation of u-blox GNSS receivers. With u-center, data can be logged as well as visualized in real time. The u-center software contains an NTRIP client that can be used to manage the RTCM correction stream from commercial services.

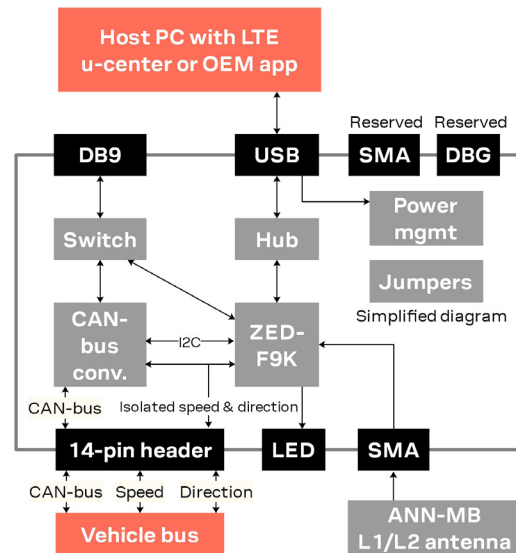
The 14-pin header provides access to additional functions beyond those depicted in the block diagram, such as the use of an external power supply, access to microcontroller for the update of its firmware, and access to the UART2 of ZED-F9K.

NOTE: An NDA is required to access necessary technical documentation.

Kit includes

- Application board with ZED-F9K
- Active multi-band GNSS antenna
- 14-pin connector breakout cable
- One-month trial license from Correction Service Partners (may not operate in all regions of the world)
- USB cable
- Jumpers for configuration
- Quick start guide

Block diagram



Interfaces and electrical data

USB	Micro USB port for GNSS data and power supply
DB9	UART communication
Antennas	SMA connector for active GNSS antenna
Power supply	USB connection or 5 to 24 VDC via 14-pin header
IO voltage	3.3 V
Protocols	NMEA, UBX, RTCM

Product variants

All variants have the same application board and software.

C100-F9K-0	For all regions
C100-F9K-xx	With raw data or custom driver Please contact sales

Legal Notice:

u-blox reserves all rights to this document and the information contained herein. Products, names, logos and designs described herein may in whole or in part be subject to intellectual property rights. Reproduction, use, modification or disclosure to third parties of this document or any part thereof without the express permission of u-blox is strictly prohibited.

The information contained herein is provided "as is". No warranty of any kind, either express or implied, is made in relation to the accuracy, reliability, fitness for a particular purpose or content of this document. This document may be revised by u-blox at any time. For most recent documents, please visit www.u-blox.com.
Copyright © 2020, u-blox AG

Further information

For contact information, see www.u-blox.com/contact-us.

For more product details and ordering information, see the product data sheet.

